

Xillo bv
Ten Briele 18.4
8200 Brugge
Belgium

+32 50 94 69 94
info@xillo.be
www.xillo.be

visit our showroom:
Ten Briele 18.1
8200 Brugge
Belgium
www.inspire-home.be

TABLE OF CONTENT

ABOUT XILLO	6	CONO	42
THE XILLO FIXTURE	8	GRANDIO	44
RECESSED VENTILATION	12	TURNO	46
TONDO	14	TUTTO	48
PIAZZO	14	RETRO	50
RECESSED INTEGRATED	16	OYO	50
SWITCH WITH GAP	18	SQUARE	
SWITCH NO GAP	18	ANGLO	54
SWITCH INVISIBLE	18	QUADREO	56
SOCKET WITH GAP	20	NIVELLO	58
SOCKET NO GAP	20	DIMEO	62
UNSEEN FRESH	22	MATTONO DUO	62
UNSEEN WATER	22	WALL	
OUR OEM PHILOSOPHY	24	ARCEO	66
ELECTRO ACCESSORIES	26	CUBE0	66
VISO	28	MOSO	66
FUMO	28	SPADO	68
PLATO	28	CURVIO	68
MOTPLUS	28	VOLTO	68
INVISIBLE SOCKET	30	RECESSED AUDIO	70
PAINTABLE SOCKET	30	GIRO	72
TRIMLESS SWITCH	32	TALO	74
RECESSED LIGHTING	34	FEO	74
PROFILE		LAYO	74
LINIO	38	OTO	74
ROUND		INSTALLATION	78
ANELLO	42	SUMMARY	82



HANDMADE IN BELGIUM

Xillo has been awarded the authenticity label 'Handmade In Belgium'. This label is the result of a series of intense audits and puts Belgian craftsmanship in the spotlight.

Our Xillo products are designed and manufactured with passion in Belgium. Therefore, the Belgian government rewarded us with this prestigious label.

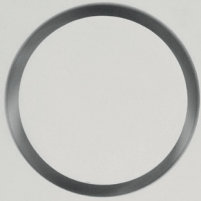
Integrated Sockets



Lighting



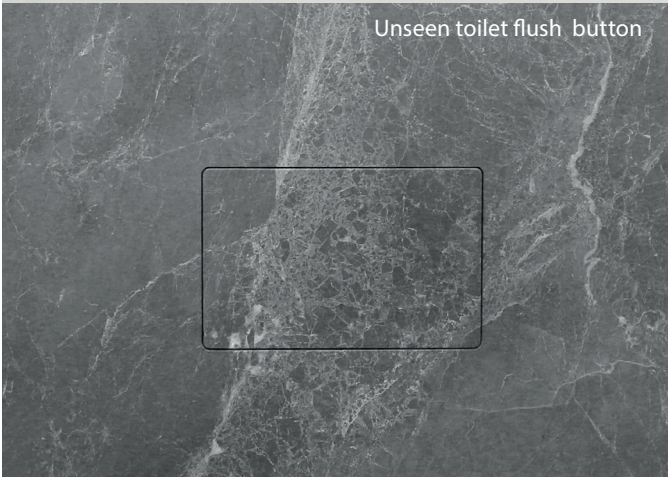
Recessed Ventilation



Integrated Switches



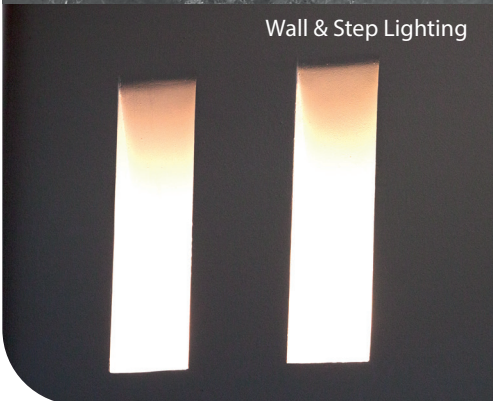
Unseen toilet flush button



Recessed Smoke Detector



Wall & Step Lighting



LED Profile



ABOUT XILLO

100% RECESSED. 100% XILLO.

Our mission is to create a recessed and seamless design for every interior element. Like to blend in a LED profile, beautifully integrate audio speakers or make your switches recessed? Xillo integrates every fixture 100% trimless, which creates an elegant and discrete look throughout your home.

PERFECTION

The patented Xillo material & concept gives you a perfect 100% recessed solution. This composite material has the same

characteristics as plaster, while this material is stronger and more robust. You can't even damage this fixture during installation. This all ensures an installation without any cracks, even after several years of installation.

INSTALLATION

All the Xillo products have one thing in common, they are extremely easy to install. And our unique fixture is the key to that recessed success. You only need to install one



fixture and thanks to the handy indicators and pre-drilled holes you can even mechanically adjust these fixtures, according to your installation requirements. The Xillo pattern offers a perfect fixation of the plaster. When you invest in this high-end material, you decrease the working hours drastically. A win-win!

INNOVATION

Thanks to our passion for design and craftsmanship, we also love to help you by creating a perfect seamless result.

For any special recessed requests, let us know your project requirements and we help to inspire you and bring your vision to life...

PERSONAL SERVICE

On top of that, our experienced team goes above and beyond to give you the best service. Thanks to our in-house production, we are also committed to an on-time delivery.



TOP CHARACTERISTICS

Quick and easy to install:

- all-in-one fixture
- pre-drilled screw holes
- mechanically adjustable
- handy indicators for laser positioning
- large mounting surface
- layer design for easy plastering

Paintable

90° perfect angles

Completely recessed





THE XILLO FIXTURE

ONE OF A KIND

With our Xillo fixtures, we offer you an all-in-one solution. The fitting and the fixture are one piece and completely made of the solid patented composite, so no need for an extra mounting kit.

Easily install these fixtures in the ceiling or wall thanks to the pre-drilled holes. The unique layer design and the handy indicators for laser positioning, makes sure that every fixture is easy to plaster. In addition, the typical Xillo pattern and large mounting surface ensures that the plaster is always perfectly fixated. Finish it off the way you like.

Thanks to the strength of this material, we don't have to work with any metal frame. This results in a perfect recessed end result with always 90° angles, without any plaster cracks nor visible borders.

FLEXIBLE

The composite gives us the flexibility to provide the Xillo fixtures in many variants: round or square, small or large, single or double ...

Furthermore, you can easily mechanically adjust these fixtures, according to your installation requirements.

MAGNET SYSTEM FOR LIGHTING

We offer different kinds of brackets, combined with multiple LED light sources. These brackets click into the fixture by magnets, so installation is quick and easy.

RESTRICTIONS

Xillo cannot be installed above air conditioning, heating, open fire, gas fire, indirect sunlight, poolhouses, outside... and is only suitable for LED lighting.

Fixtures suitable for
plasterboard (PB) and
concrete brick (CC).

AN INVISIBLE LUXURY THAT HAS TO BE SEEN





Curvio



Grandio Duo



Arceo

recessed VENTILATION

Find the perfect blend of quality, function and design in the Fento range. Integrate the Xillo vent units seamlessly in any interior and achieve an elegant and minimalistic look.

Discover more →



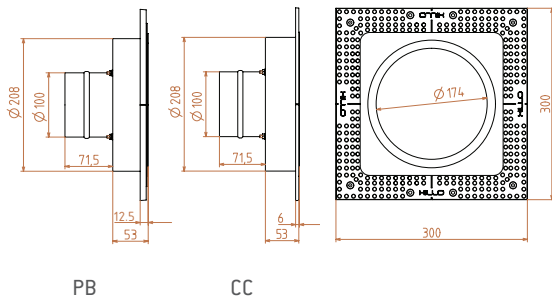


TONDO¹⁰⁰

CF1100

TECHNICAL SPECS

Connection	pipe Ø 100
Opening	Ø 200 mm (Ø 174mm)
Air Flow	adjustable
Cut out	plasterboard (PB): 304 x 304 mm concrete (CC): Ø 220 mm
Total installation depth	plasterboard (PB): 44,5 mm (with pipe: 114,5 mm) concrete (CC): 51 mm (with pipe: 121 mm)

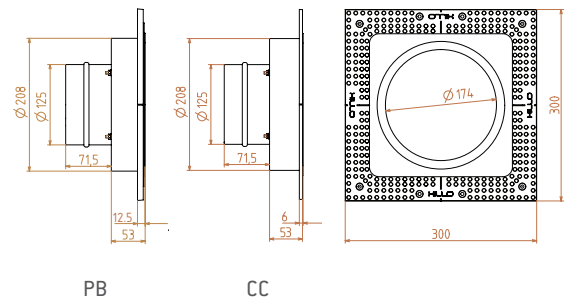


TONDO¹²⁵

CF1125

TECHNICAL SPECS

Connection	pipe Ø 125
Opening	Ø 200 mm (Ø 174mm)
Air Flow	adjustable
Cut out	plasterboard (PB): 304 x 304 mm concrete (CC): Ø 220 mm
Total installation depth	plasterboard (PB): 44,5 mm (with pipe: 114,5 mm) concrete (CC): 51 mm (with pipe: 121 mm)

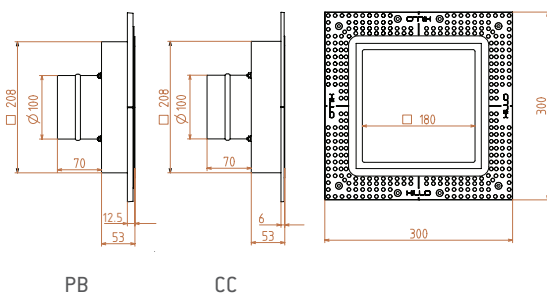


PIAZZO¹⁰⁰

SF1100

TECHNICAL SPECS

Connection	pipe Ø 100
Opening	200 x 200 mm (180 x 180 mm)
Air Flow	adjustable
Cut out	plasterboard (PB): 304 x 304 mm concrete (CC): 212 x 212 mm
Total installation depth	plasterboard (PB): 44,5 mm (with pipe: 114,5 mm) concrete (CC): 51 mm (with pipe: 121 mm)

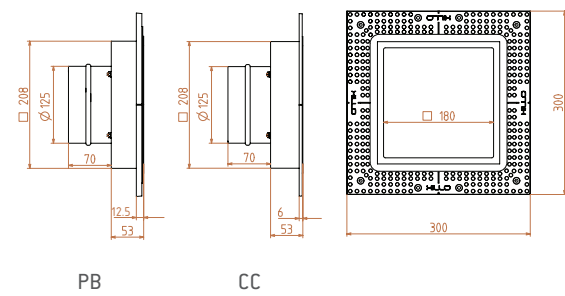


PIAZZO¹²⁵

SF1125

TECHNICAL SPECS

Connection	pipe Ø 125
Opening	200 x 200 mm (180 x 180 mm)
Air Flow	adjustable
Cut out	plasterboard (PB): 304 x 304 mm concrete (CC): 212 x 212 mm
Total installation depth	plasterboard (PB): 44,5 mm (with pipe: 114,5 mm) concrete (CC): 51 mm (with pipe: 121 mm)



Support studs for any Piazza and Tondo product can be painted in the same colour as the ceiling or wall.



The most minimalistic vents on the market, Available in square and round versions, these minimalistic vents can be integrated in both concrete and plasterboard to blend perfectly in any interior.

Airflow is adjustable thanks to the adjustable clicker system.



recessed INTEGRATED

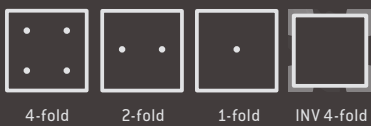
Maximize your minimalism with the Xillo Integrated switches, sockets, toilet flush buttons and taps. Blend these items into your interior for the full 100%. Fully integrated & accentuating the natural beauty of your stone, wood, corian, terrazzo, painted MDF, ceramics...
Switching gear was never before so beautiful.

Discover more →





The integrated switches are available in 1-fold, 2-fold and 4-fold versions on 12-24 V DC and are available for different types of home automation systems. Contact us for more information.



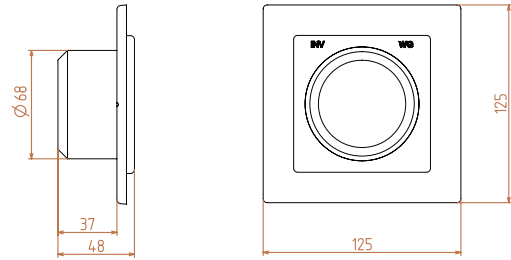


SWITCH^{INV}

TRIM_INTININT4_WG

TECHNICAL SPECS

Specification	Invisible
Compatible System	12-24V DC (normally open/closed contacts) other automation systems on request
Electronics	4-fold
Opening	87,5mm x 87,5mm
Total installation depth	48 mm
Thickness slab material	18 - 22mm
Local thickness	5mm



ACCESSORIES

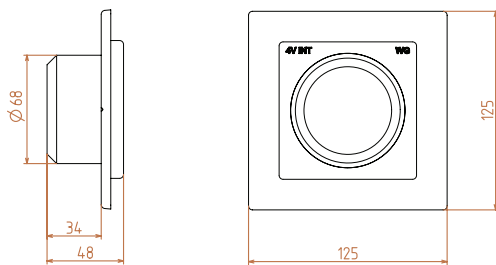
INTINT_GLUEKIT	Glue Kit
INTINT_GLUEPISTOL	Reusable Glueing Pistol
NOC_INTININT4	Integrated Invisible Electronics 4-fold

SWITCH^{WG}

TRIM_INTINT124_WG

TECHNICAL SPECS

Specification	With Gap
Compatible System	12-24V DC (normally open/closed contact) other automation systems on request
Electronics	1-fold, 2-fold or 4-fold
Opening	87,5mm x 87,5mm
Total installation depth	45 mm
Thickness slab material	18 - 22mm
Local thickness	5mm



ACCESSORIES

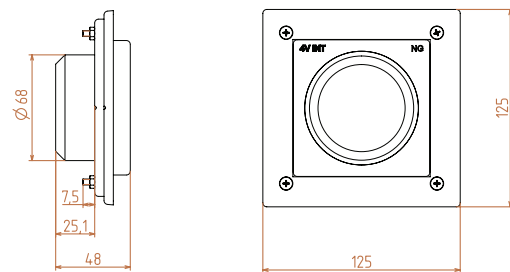
INTINT_GLUEKIT	Glue Kit
INTINT_GLUEPISTOL	Reusable Glueing Pistol
NOC_INTINT1	Integrated Electronics 1-fold
NOC_INTINT2	Integrated Electronics 2-fold
NOC_INTINT4	Integrated Electronics 4-fold

SWITCH^{NG}

TRIM_INTINT124_NG

TECHNICAL SPECS

Specification	No Gap
Compatible System	12-24V DC (normally open/closed contacts) other automation systems on request
Electronics	1-fold, 2-fold or 4-fold
Opening	na
Total installation depth	42 mm
Thickness slab material	18 - 22mm
Local thickness	5mm



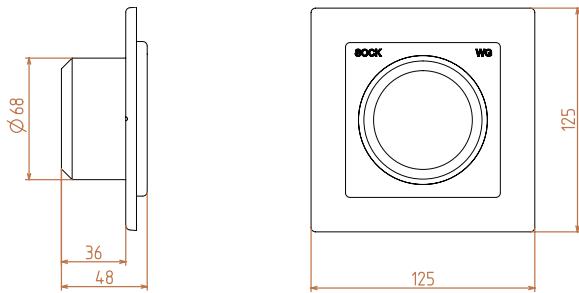
ACCESSORIES

INTINT_GLUEKIT	Glue Kit
INTINT_GLUEPISTOL	Reusable Glueing Pistol
NOC_INTINT1	Integrated Electronics 1-fold
NOC_INTINT2	Integrated Electronics 2-fold
NOC_INTINT4	Integrated Electronics 4-fold

SOCKET^{WG} TRIM SOCKINT1_WG

TECHNICAL SPECS

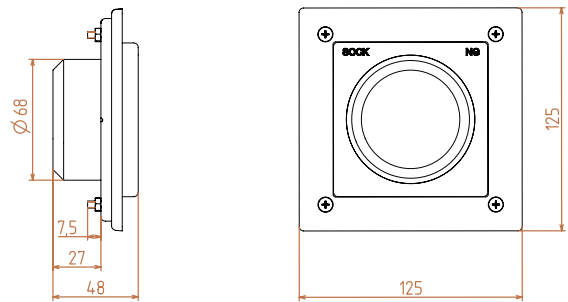
Specification	With Gap
Insert	excluded
Compatibility	Legrand Mosaic/Arteor/Valena Next Peha Concept 45
Opening	87,5 mm x 87,5 mm
Total installation depth	47 mm
Thickness slab material	18-22 mm
Local thickness	5 mm



SOCKET^{NG} TRIM SOCKINT1_NG

TECHNICAL SPECS

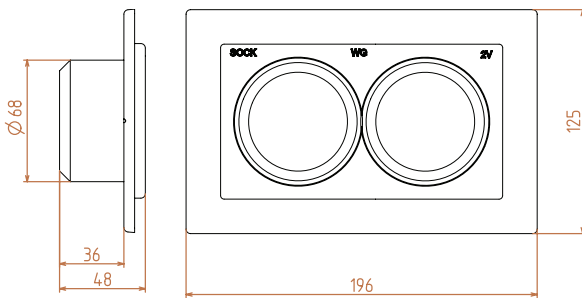
Specification	No Gap
Insert	excluded
Compatibility	Legrand Mosaic/Arteor/Valena Next Peha Concept 45
Opening	na
Total installation depth	44,5 mm
Thickness slab material	18-22 mm
Local thickness	5 mm



SOCKET^{WG DUO} TRIM SOCKINT2_WG

TECHNICAL SPECS

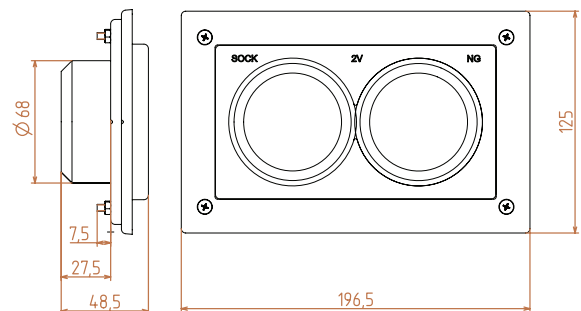
Specification	With Gap
Insert	excluded
Compatibility	Legrand Mosaic/Arteor/Valena Next Peha Concept 45
Opening	156 mm x 87,5 mm
Total installation depth	47 mm
Thickness slab material	18-22 mm
Local thickness	5 mm



SOCKET^{NG DUO} TRIM SOCKINT2_NG

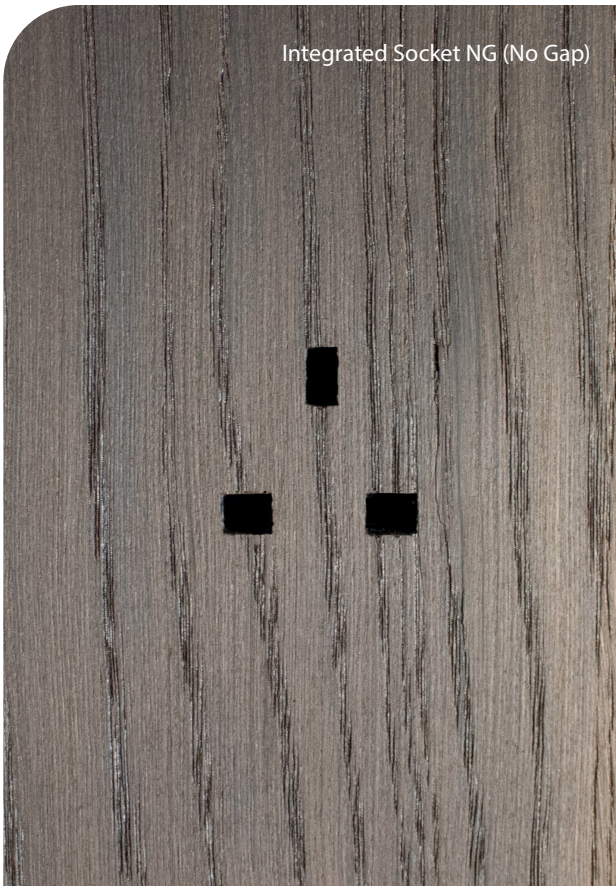
TECHNICAL SPECS

Specification	No Gap
Insert	excluded
Compatibility	Legrand Mosaic/Arteor/Valena Next Peha Concept 45
Opening	na
Total installation depth	44,5 mm
Thickness slab material	18-22 mm
Local thickness	5 mm



ACCESSORIES

INTINT_GLUEKIT	Glue Kit
INTINT_GLUEPISTOL	Reusable Glueing Pistol



Integrated Socket NG (No Gap)



Integrated Socket WG (With Gap) Duo



Intergrated Socket NG (No Gap)

Match your sockets with your switches with the Integrated Sockets. Fully flush, fully integrated, with or without gap.

The Integrated sockets are compatible with the following types of inserts:

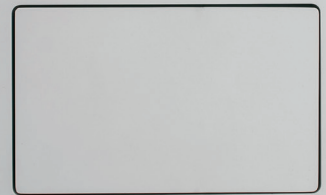


schüko be/fr 1x rj45 usb a/c coax 2x rj45 uk

Unseen Fresh



Unseen Fresh



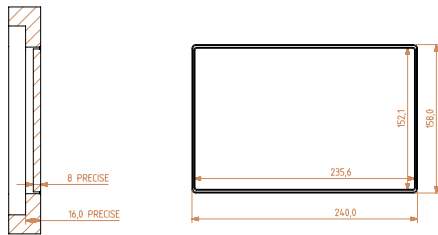
Unseen Water Flat



UNSEEN^{FRESH} U1200S

TECHNICAL SPECS

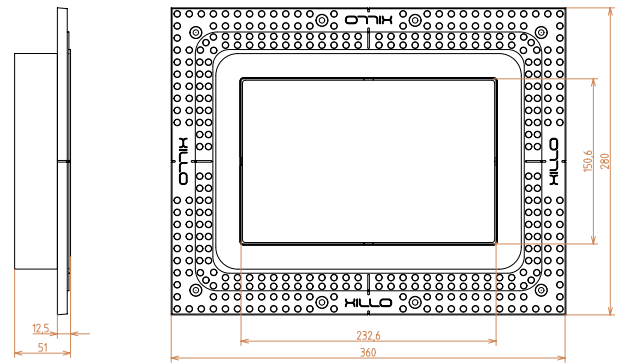
Compatibility	Stone/Corian/Painted MDF/Wood/ Terrazzo/Ceramics
Toilet system	Geberit Sigma (excluded)
Opening	238 x 156 mm
Cut out	282 x 200 mm
Total installation depth	Stone mill locally to 16mm + Xillo System 37,5mm + Geberit system (excl.)



UNSEEN^{FRESH} U1200X

TECHNICAL SPECS

Compatibility	Plasterboard or plastered Brick/Concrete
Toilet system	Geberit Sigma (excluded)
Opening	234,3 x 152,3 mm
Cut out	plasterboard (PB): 364 x 284 mm
Total installation depth	plasterboard (PB): 51 mm + Geberit system (excl.)



PB



Unseen Water Corner

UNSEEN^{WATER/FLAT} U176S

TECHNICAL SPECS

To be specified

UNSEEN^{WATER/CORNER} U175S

TECHNICAL SPECS

To be specified

ACCESSORIES

INTINT_GLUEKIT	Glue Kit
INTINT_GLUEPISTOL	Reusable Glueing Pistol

OUR OEM PHILOSOPHY



FROM IDEA TO RECESSEDSOLUTION

'Creating an innovative recessed solution', that is what it is all about at Xillo. Our philosophy is to fulfill any design wish with a recessed solution. We bring your vision to life by creating a perfect trimless product.

Do you have a special request for a recessed solution? Or like to obtain a true clean designer look (e.g., all cables nicely tucked away, no visible borders)? Let us know and together we create a recessed answer to your idea, request, product or concept. We are happy to think along with you!

HOW DOES IT WORK?



READY?

We organise a personal meeting with our design team and listen to your inspiring case(s). Once all your needs are taken into account, we match the perfect Xillo fixture to your needs.



SET ...

We develop every product from A to Z. Thanks to our in-house production development and manufacturing, we customize your ideas.



GO!

Now you offer a custom product and service to your customer. Thanks to the custom made 100% recessed end result, you create a clear differentiation to the competitors and this will only benefit your business.

Xillo made recessed solutions for leading brands like Bose, Duotecno, Tense, Artsound, KEF, Bosch, Triad, Geberit, Control4, Vanderbilt... The available product portfolio is ranging from trimless switches, sockets, detectors, touchscreens, audio speakers, ventilation... By collaborating we can cover the increasing demand for recessed products and creating a uniform look in a project.

AWARDS

All these Xillo innovations are a result of our passion for design. Therefore, the trimless solutions of Xillo have already been rewarded with several design awards:



recessed
ELECTRO
ACCESSORIES

All Trimless, completely flush. Detectors, sensors, touch buttons, sockets,... We can fulfill your wildest trimless dreams. Any ideas? Please let us know!

Discover more →





Fumo - Recessed smoke detector



Viso - Recessed intrusion detector



MotPlus - Recessed motion detector



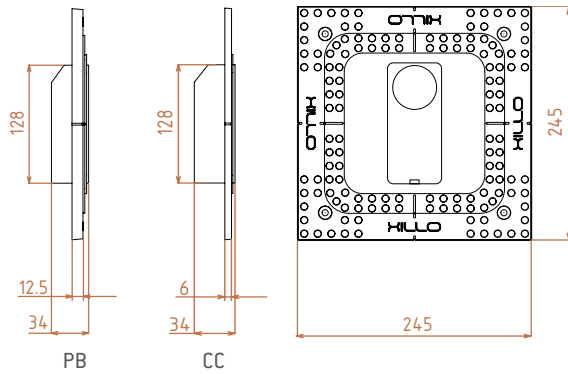
The plato range consists of 3 sizes blind plates for both concrete and plasterboard. Any waiting tubes and cables can now be hidden away behind the Plato blind plates.

VISO

V_PDM-I12_F

TECHNICAL SPECS

Alarm detector	excluded
Fitting	suitable for Vanderbilt PDM-I12
Opening	127,5 x 57 mm
Cut out	plasterboard (PB): 249 x 249 mm concrete (CC): Ø 137 mm
Total installation depth	plasterboard (PB): 27 mm concrete (CC): 33,5 mm

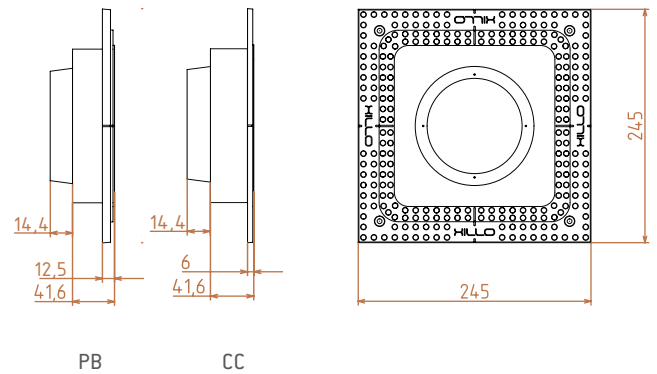


FUMO

X_BOSCH_FCP 500

TECHNICAL SPECS

Smoke detector	excluded
Fitting	suitable for BOSCH FCP-500
Opening	Ø 151 mm
Cut out	plasterboard (PB): 249 x 249 mm concrete (CC): Ø 171 mm
Total installation depth	plasterboard (PB): 51,5 mm concrete (CC): 58 mm

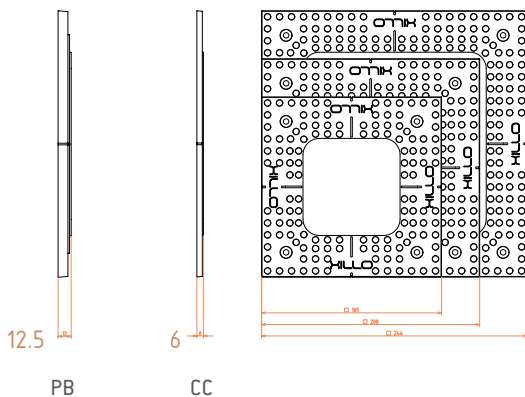


PLATO

P90/P110/P160

TECHNICAL SPECS

Blank space	P90: 90x90mm P110: 110x110mm P160: 160 x 160mm
Cut out	plasterboard (PB): P90: 169 x 169 mm P110: 204 x 204 mm P160: 248 x 248 mm
Total installation depth	concrete (CC): na plasterboard (PB): 12 mm concrete (CC): na

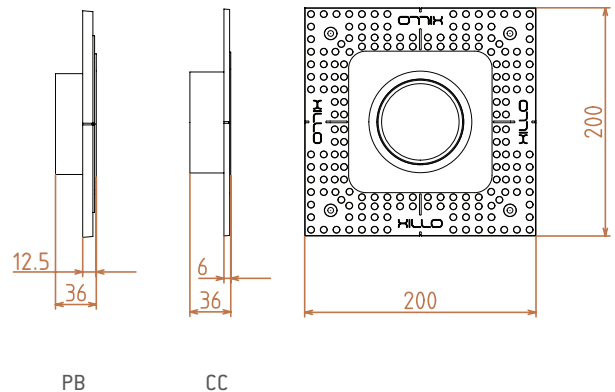


MOTPLUS

TRIM_MOTPLUS

TECHNICAL SPECS

Motion detector	excluded
Compatible system	12V DC
Fitting	suitable for Motivity Plus
Opening	Ø 75 mm
Cut out	plasterboard (PB): 204 x 204 mm concrete (CC): Ø 73 mm
Total installation depth	plasterboard (PB): 27,5 mm concrete (CC): 34 mm



ACCESSORIES

NOC_MOTPLUS_B	Motivity Plus motion detector in Black
NOC_MOTPLUS_W	Motivity Plus motion detector in White

Invisible Socket Duo



Paintable Socket



Compatible with these insert types:



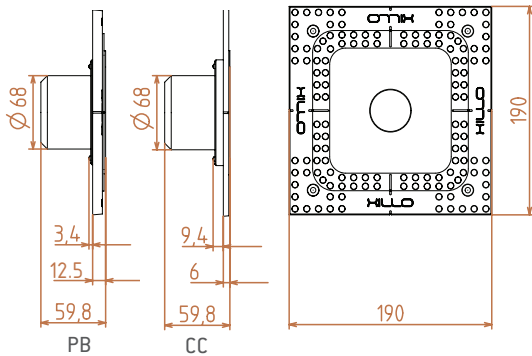
Invisible Socket



INVISIBLE^{SOCKET} TRIM-SOCKINV1

TECHNICAL SPECS

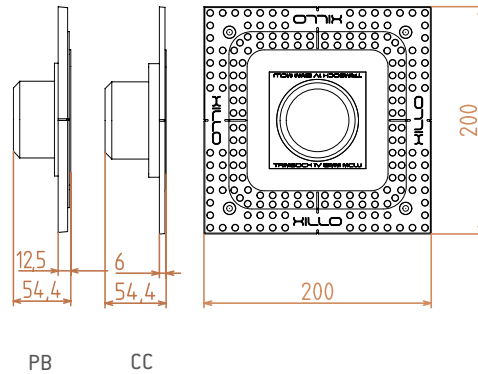
Insert	excluded
Compatibility	Standard 55mm x 55mm inserts Niko 45 mm x 45 mm (+ extra adaptor)
Opening	Ø 39 mm
Cut out	plasterboard (PB): 194 x 194 mm concrete (CC): Ø 82 mm
Total installation depth	plasterboard (PB): 52 mm concrete (CC): 58 mm



PAINTABLE^{SOCKET} TRIM-SOCK6MMMCW1

TECHNICAL SPECS

Insert	excluded
Compatibility	Legrand Mosaic/Arteor/Valena Next Peha Concept 45
Opening	85 mm x 85 mm
Cut out	plasterboard (PB): 204 x 204 mm concrete (CC): Ø 141 mm
Total installation depth	plasterboard (PB): 46 mm concrete (CC): 52,5 mm



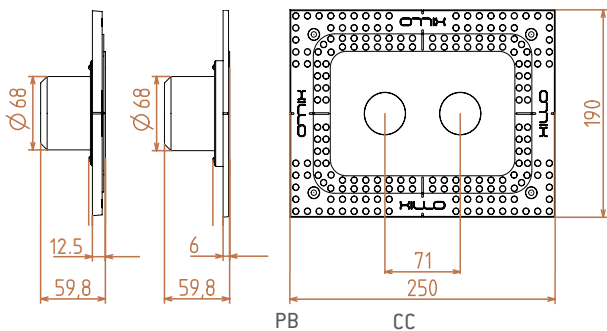
ACCESSORIES

- SOCK6MMRP1 Socket frame paintable round opening 1-fold
- SOCK6MMSP1 Socket frame paintable square opening 1-fold

INVISIBLE^{SOCKET DUO} TRIM-SOCKINV2

TECHNICAL SPECS

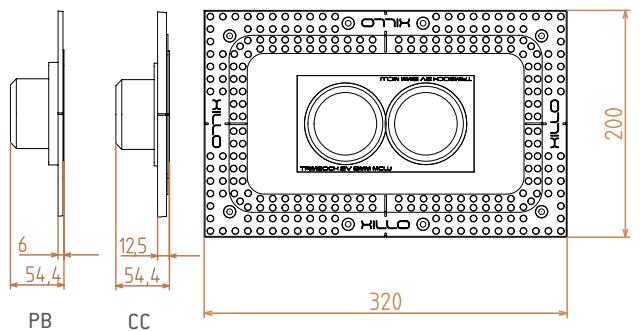
Insert	excluded
Compatibility	Standard 55mm x 55mm inserts Niko 45 mm x 45 mm (+ extra adaptor)
Opening	2 x Ø 39 mm
Cut out	plasterboard (PB): 254 x 194 mm concrete (CC): Ø 152 mm
Total installation depth	plasterboard (PB): 52 mm concrete (CC): 58 mm



PAINTABLE^{SOCKET DUO} TRIM-SOCK6MMMCW2

TECHNICAL SPECS

Insert	excluded
Compatibility	Legrand Mosaic/Arteor/Valena Next Peha Concept 45
Opening	85 mm x 165 mm
Cut out	plasterboard (PB): 324 x 204 mm concrete (CC): 175 x 104 mm
Total installation depth	plasterboard (PB): 46 mm concrete (CC): 52,5 mm



ACCESSORIES

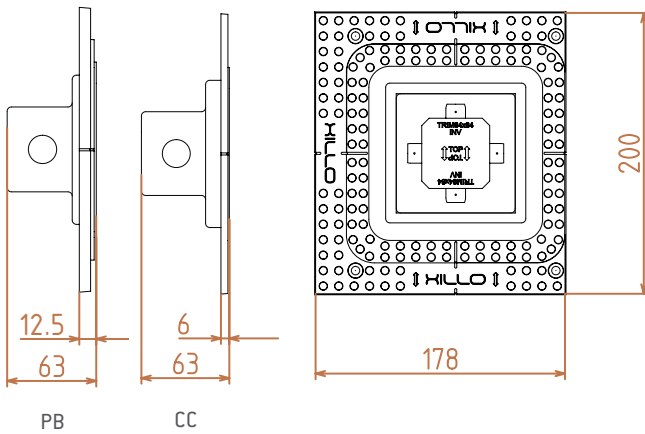
- SOCK6MMRP1 Socket frame paintable round opening 2-fold
- SOCK6MMSP1 Socket frame paintable square opening 2-fold

TRIMLESS SWITCH

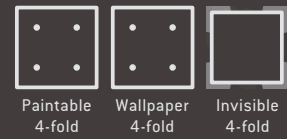
TRIM_SWITCHMCMWINV124

TECHNICAL SPECS

Front plate	excluded
Compatible front plates	Paintable, Wallpaper, Invisible
System	12-24V DC (Normally Open/Closed Contacts)
Opening	85 mm x 85 mm
Cut out	plasterboard (PB): 204 x 204 mm concrete (CC): Ø 142 mm
Total installation depth	plasterboard (PB): 54,5 mm concrete (CC): 61 mm



Paint, wallpaper, cement-based paints, fishskin, fabric, ... blend your switch perfectly with your wall in any finish you'd like.

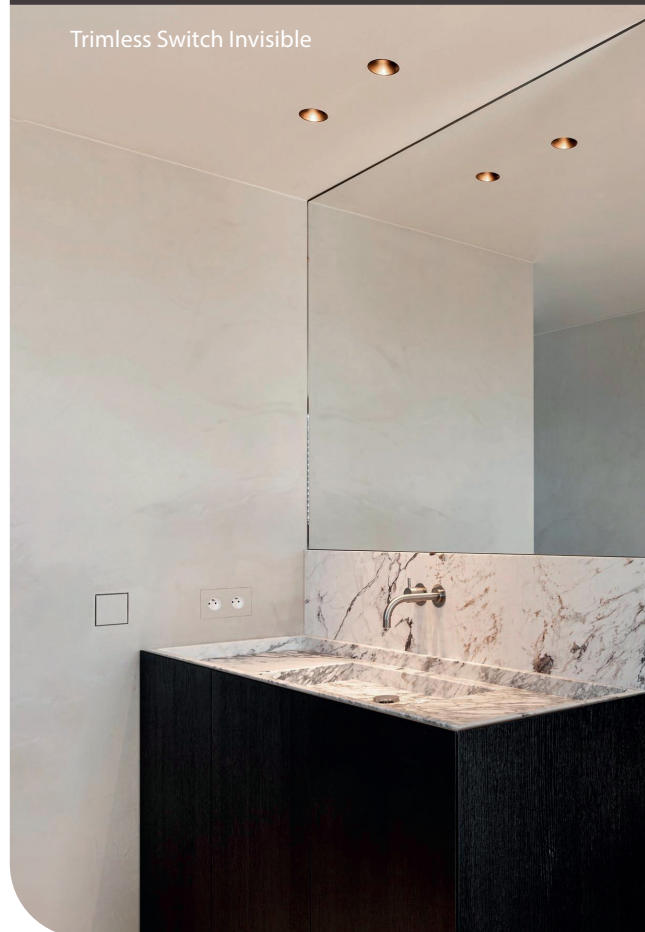


ACCESSORIES

NOC_INTP4	Paintable 4-fold switch front plate and electronics
NOC_INTWP4	Wallpaper 4-fold switch front plate and electronics*
NOC_INTINV4	Invisible 4-fold switch front plate and electronics *

*compatible with cement based paints

Trimless Switch Invisible



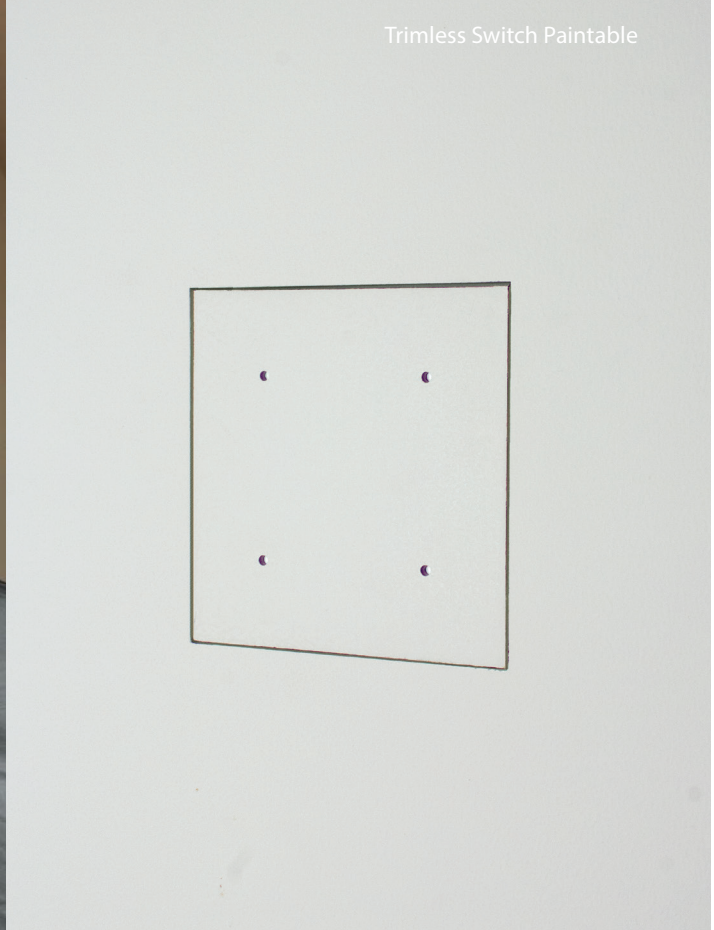
Trimless Switch Wallpaper



Trimless Switch Invisible



Trimless Switch Paintable



recessed LIGHTING

Combine quality, function and design. Find the perfect harmony for your ceiling and wall. Discover the minimalistic designs of Xillo and enjoy the visual comfort. Light up your world, thanks to the handy Xillo fixtures.

Discover more →





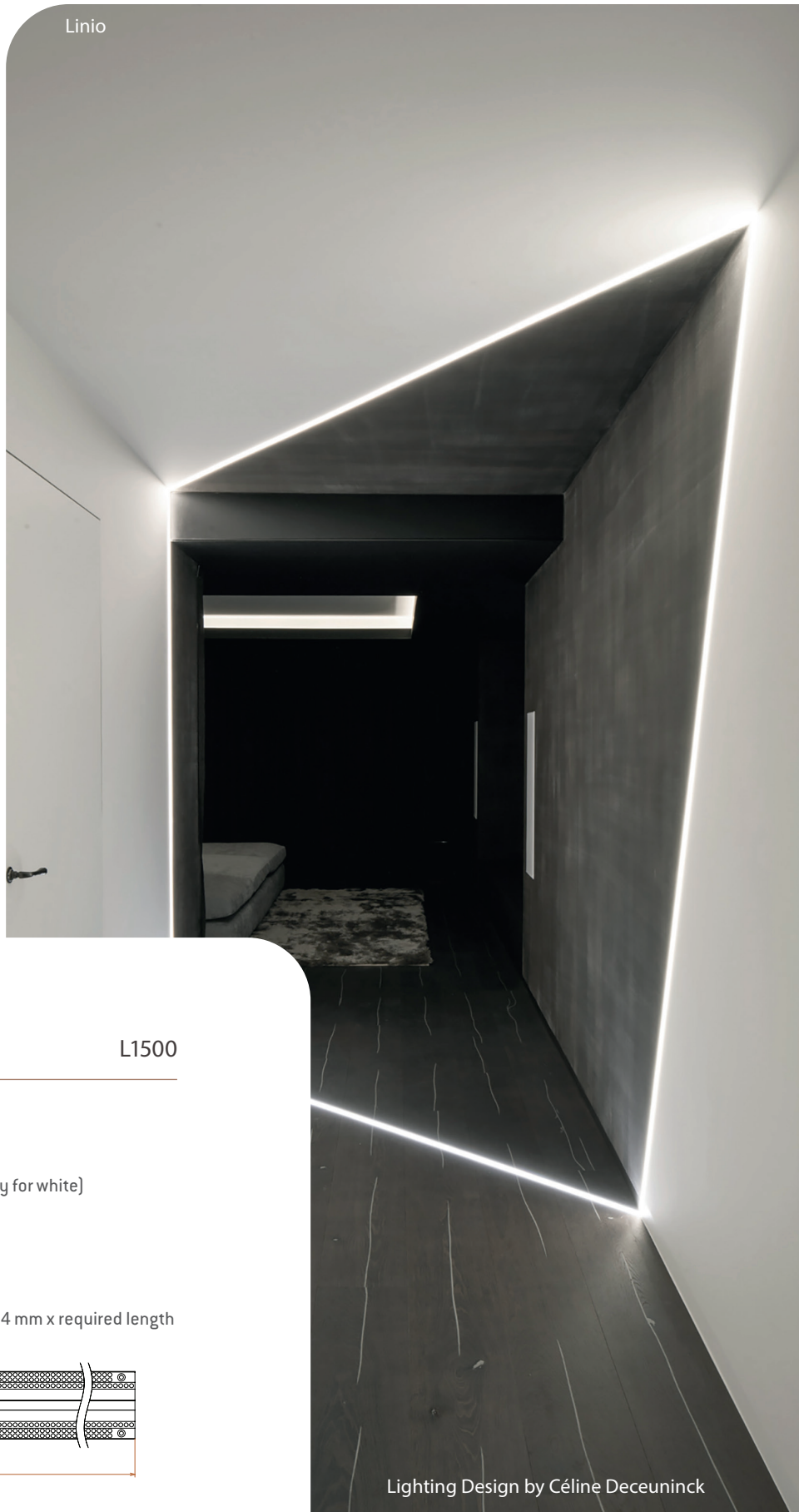




PROFILE

smooth
ambiance

Linio

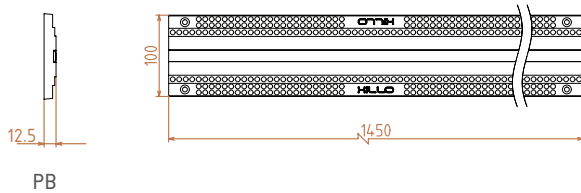


LINIO

L1500

TECHNICAL SPECS

Orientation	fixed
Fitting	flexible LED strip (only for white)
Profile + diffuser	standard included
Lamp	excluded
Driver	excluded
Lamp opening	16 mm
Cut out	plasterboard (PB): 104 mm x required length



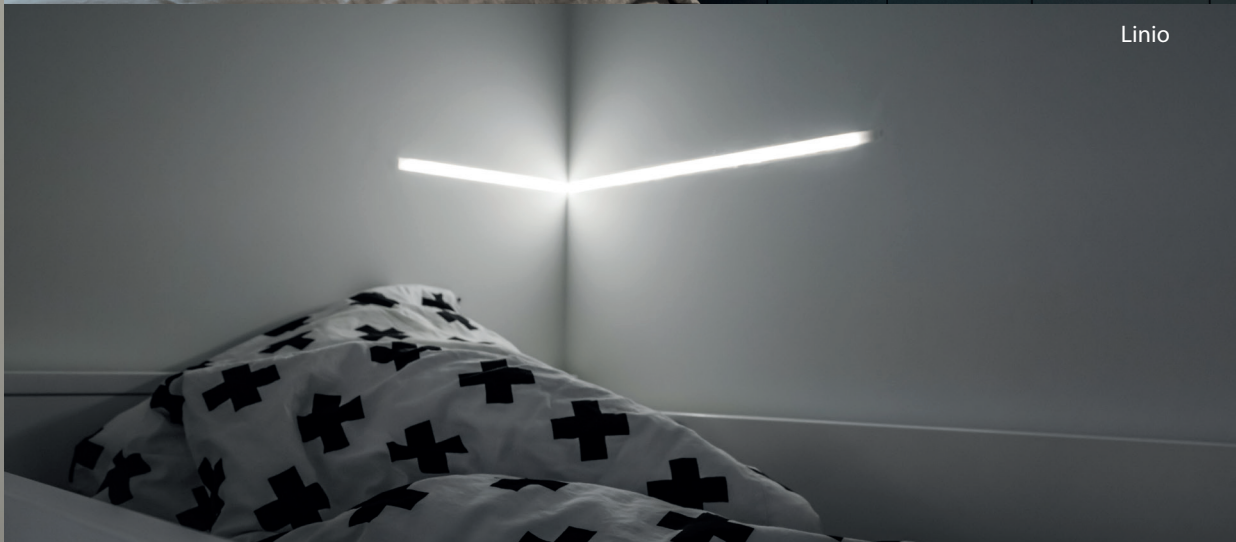
Lighting Design by Céline Deceuninck

BEAUTIFUL INTEGRATION

Integrate the fixture for a linear LED quick and easy thanks to the unique characteristics of the Xillo material. Install this all-in-one fixture and finish it the way you like. As the fixture can be mechanically adjusted with ease, the Linio can be incorporated in different designs: U-shapes, L-shapes ... It can be implemented in your wall, ceiling and floor.



Linio



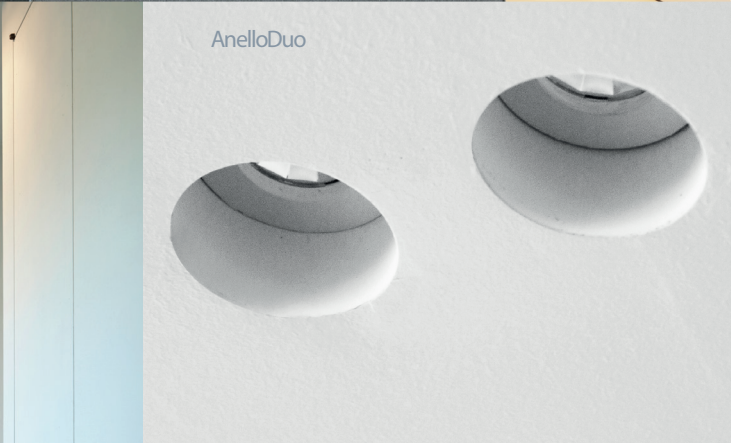
Linio





ROUND

elegant
ambiance

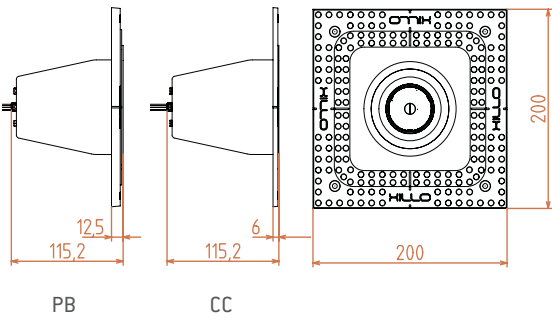


CONO

C1055

TECHNICAL SPECS

Orientation	fixed
Fitting	suitable for XILLE50
Lamp	excluded
Lamp opening	Ø 80 mm
Cut out	plasterboard (PB): 204 x 204 mm concrete (CC): Ø 101 mm
Total installation depth	plasterboard (PB): 106,5 mm concrete (CC): 113 mm



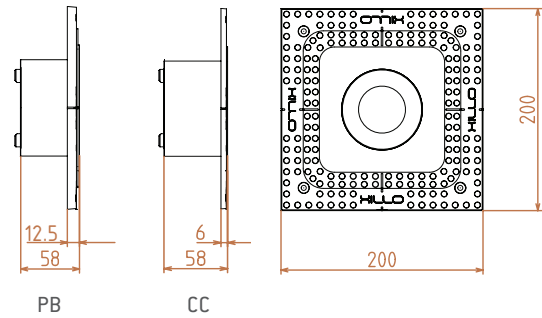
ANELLO

C1050

TECHNICAL SPECS

Orientation	fixed
Fitting	see accessories below
Lamp	excluded
Lamp opening	Ø 80 mm
Cut out	plasterboard (PB): 204 x 204 mm concrete (CC): Ø 101 mm
Total installation depth	plasterboard (PB): 49,5 mm concrete (CC): 56 mm

provide enough space in ceiling (led fixture)

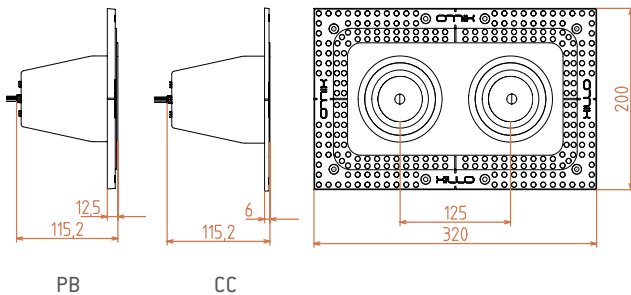


CONO^{DUO}

C2055

TECHNICAL SPECS

Orientation	fixed
Fitting	suitable for XILLE50
Lamp	excluded
Lamp opening	Ø 80 mm
Cut out	plasterboard (PB): 204 x 324 mm concrete (CC): 2 x Ø 101 mm
Total installation depth	plasterboard (PB): 106,5 mm concrete (CC): 113 mm



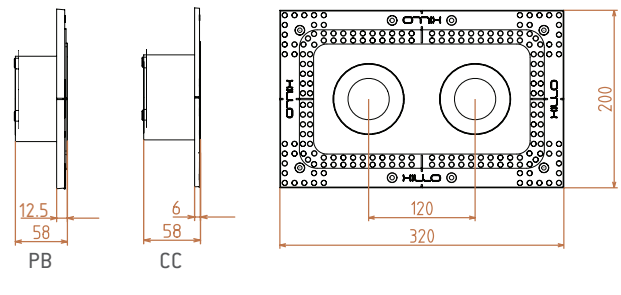
ANELLO^{DUO}

C2050

TECHNICAL SPECS

Orientation	fixed
Fitting	see accessories below
Lamp	excluded
Lamp opening	2 x Ø 80 mm
Cut out	plasterboard (PB): 324 x 204 mm concrete (CC): 2 x Ø 101 mm
Total installation depth	plasterboard (PB): 49,5 mm concrete (CC): 56 mm

provide enough space in ceiling (led fixture)



ACCESSORIES

Xille50 Cono LED module Ø 50 mm

ACCESSORIES

50F0*
50F1*
50FM**
50FD**

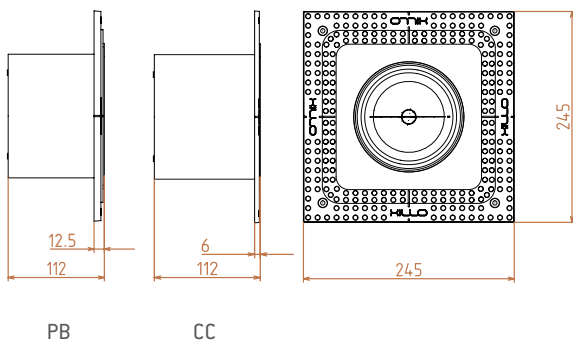
Fixed bracket for any LED Ø 50 mm
Fixed bracket for any LED GU10 fitting Ø 50 mm
Fixed bracket with LED module Ø 50 mm
Fixed bracket with Dim To Warm LED Ø 50 mm

*lamp excluded
**lamp included, driver excluded

GRANDIO C1111

TECHNICAL SPECS

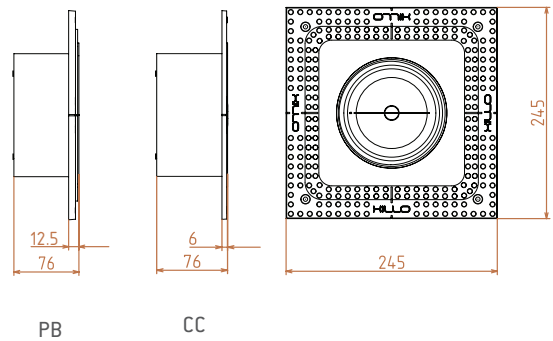
Orientation	30° tilt - 360°
Fitting	see accessories below
Lamp	excluded
Lamp opening	Ø 127,5 mm
Driver opening	45 x 100 mm
Cut out	plasterboard (PB): 249 x 249 mm concrete (CC): Ø 151 mm
Total installation depth	plasterboard (PB): 103.5 mm concrete (CC): 110 mm



GRANDIO ^{BASSO} C1111-L

TECHNICAL SPECS

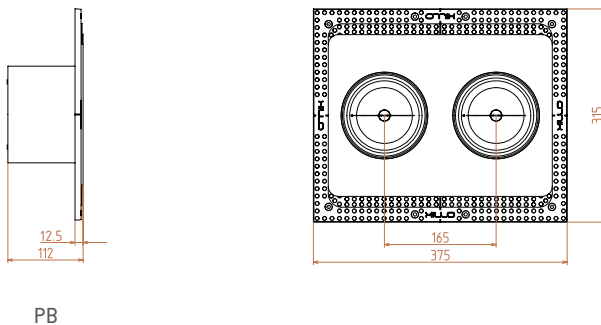
Orientation	open bracket: 30° tilt - 360° closed bracket: 20° tilt - 360°
Fitting	see accessories below
Lamp	excluded
Lamp opening	Ø 127,5 mm
Driver opening	45 x 100 mm
Cut out	plasterboard (PB): 249 x 249 mm concrete (CC): Ø 151 mm
Total installation depth	plasterboard (PB): 67,5 mm concrete (CC): 74 mm



GRANDIO ^{DUO} C2111

TECHNICAL SPECS

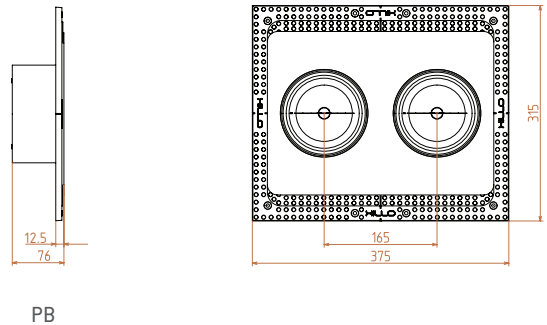
Orientation	30° tilt - 360°
Fitting	see accessories below
Lamp	excluded
Lamp opening	2 x Ø 127,5 mm
Driver opening	2 x 45 x 100 mm
Cut out	plasterboard (PB): 319 x 379 mm
Total installation depth	plasterboard (PB): 103.5 mm



GRANDIO ^{DUO BASSO} C2111-L

TECHNICAL SPECS

Orientation	open bracket: 30° tilt - 360° closed bracket: 20° tilt - 360°
Fitting	see accessories below
Lamp	excluded
Lamp opening	2 x Ø 127,5 mm
Driver opening	2 x 45 x 100 mm
Cut out	plasterboard (PB): 319 x 379 mm
Total installation depth	plasterboard (PB): 67,5 mm



ACCESSORIES

111A3* Adjustable bracket for any LED AR111 G53
*lamp excluded

ACCESSORIES

111A3-LC* Adjustable bracket for any LED AR111 G53 (low/closed)
111A3-LO* Adjustable bracket for any LED AR111 G53 (low/open)
*lamp excluded



Grandio Duo Basso



Limited installation depth? We proudly present our Basso range. These fixtures are specifically designed for shallow ceilings. Available in single and double.

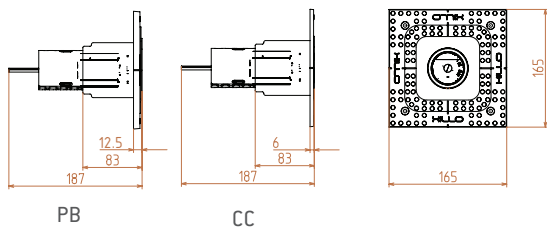
Looking for a square alternative? Meet Quadreo

TURNO

C1060

TECHNICAL SPECS

Orientation	fixed
Fitting	see accessories below
Lamp opening	Ø 57 mm
Driver opening	Ø 60 mm
Cut out	plasterboard (PB): 169 x 169 mm concrete (CC): Ø 81 mm
Total installation depth	plasterboard (PB): 74,5 -175 mm concrete (CC): 81 - 180 mm <small>*provide enough space when clicking the housing of the Turno in place.</small>

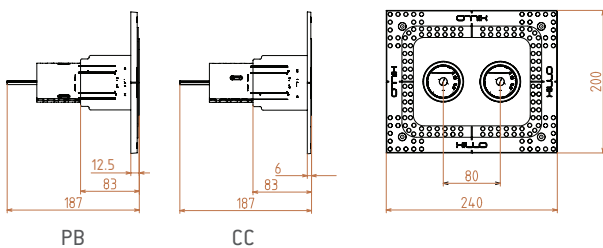


TURNO DUO

C2060

TECHNICAL SPECS

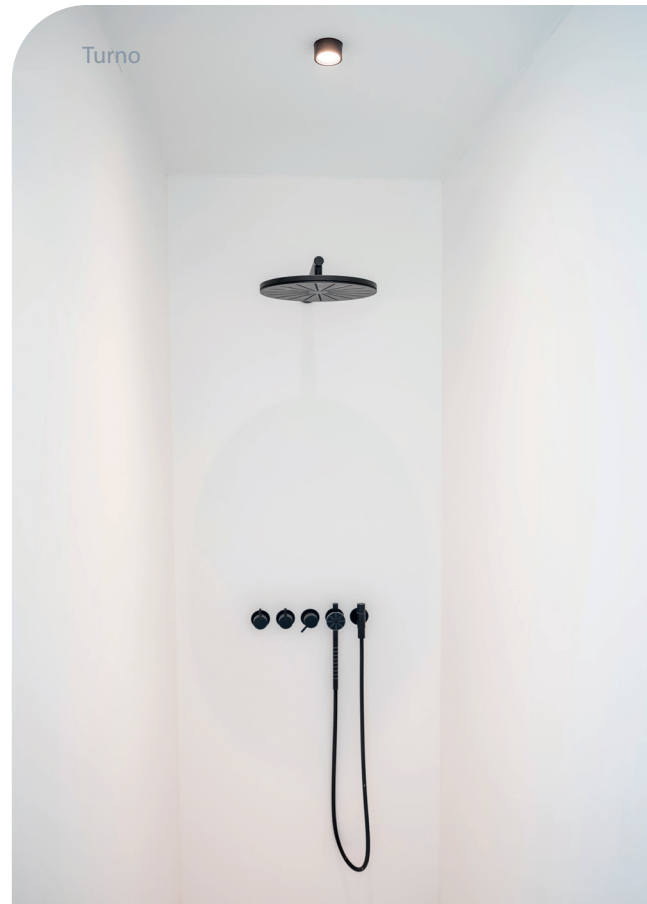
Orientation	fixed
Fitting	see accessories below
Lamp opening	2 x Ø 57 mm
Driver opening	Ø 60 mm
Cut out	plasterboard (PB): 244 x 204 mm concrete (CC): 2 x Ø 81 mm
Total installation depth	plasterboard (PB): 74,5 -175 mm concrete (CC): 81 - 180 mm <small>*provide enough space when clicking the housing of the Turno in place.</small>



ACCESSORIES

60TMBL*	Turno LED module Ø 50 mm insert Black
60TMBR*	Turno LED module Ø 50 mm insert Bronze
60TMWH*	Turno LED module Ø 50 mm insert White
60TEBL**	Turno fixed bracket for any LED Ø 50 mm Black
60TEBR**	Turno fixed bracket for any LED Ø 50 mm Bronze
60TEWH**	Turno fixed bracket for any LED Ø 50 mm White

* lamp included (CRI90-2240lm-2700K-16.8W), driver excluded
** lamp excluded



Simply twist the hand-brushed housing to another level and change the look and beaming angle of your lighting, even after installation!

Use your creativity and mix the 5 different levels and 3 different finishes to keep your interior fresh and playful.



BRONZE

BLACK

WHITE

Turno - adjustable in 5 different levels

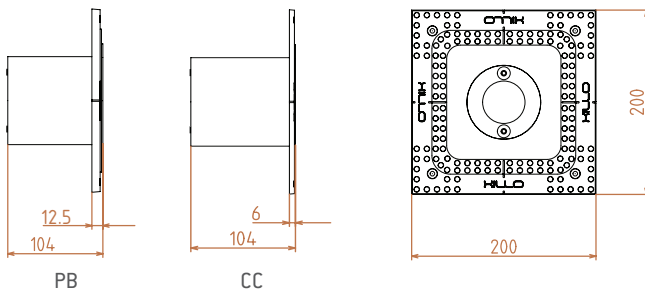


TUTTO

C1070

TECHNICAL SPECS

Orientation	fixed (AR70)
	30° tilt -360° (LED Ø 50 mm)
Fitting	see accessories below
Lamp	excluded, except for Xillo Tube
Lamp opening	Ø 80 mm
Driver opening	Ø 44 mm
Cut out	plasterboard (PB): 204 x 204 mm concrete (CC): Ø 101 mm
Total installation depth	plasterboard (PB): 95,5 mm concrete (CC): 102 mm

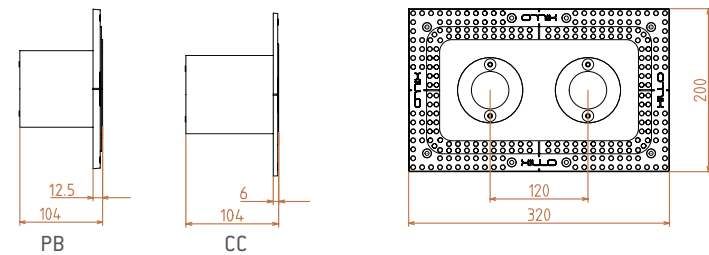


TUTTO DUO

C2070

TECHNICAL SPECS

Orientation	fixed (AR70)
	30° tilt -360° (LED Ø 50 mm)
Fitting	see accessories below
Lamp	excluded, except for Xillo Tube
Lamp opening	2 x Ø 80 mm
Driver opening	2 x Ø 44 mm
Cut out	plasterboard (PB): 204 x 324 mm concrete (CC): 2 x Ø 101 mm
Total installation depth	plasterboard (PB): 95,5 mm concrete (CC): 102 mm



ACCESSORIES

50A1*	Adjustable bracket with LED GU10 fitting
50AM**	Adjustable bracket with LED module Ø 50 mm
50AD**	Adjustable bracket with Dim To Warm LED module
70A5*	Adjustable bracket with AR70 fitting
50ATBL***	Tube Black with LED module
50ATWH***	Tube White with LED module
50ATBR***	Tube Bronze with LED module

* lamp excluded

** lamp included, driver excluded

*** lamp included (CRI90-734lm-2700K-6.3W), driver excluded





Already bought your LED lamps? Like to make them flush? We make them recessed for you!

Thanks to the unique Xillo fixtures you will have a 100% seamless end result.

CHAMELEON TUTTO

Meet the chameleon of our Xillo family. Combine the Tutto with a great variety of light sources and achieve a unique result time after time. We present the newest member in the family: the adjustable Tube.

These lighting fixtures disappear smoothly and seamlessly in any architecture.

Tutto - Tube

Tutto - AR70



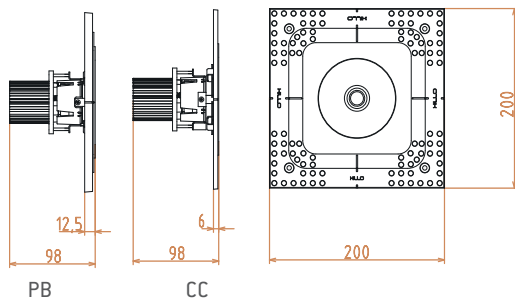


OJO

C1025

TECHNICAL SPECS

Orientation	adjustable
Fitting	suitable for LED Module
Lamp	included
Lamp opening	Ø 23 mm
Cut out	plasterboard (PB): 204 x 204 mm concrete (CC): Ø 102 mm
Total installation depth	plasterboard (PB): 89,5 mm concrete (CC): 96 mm

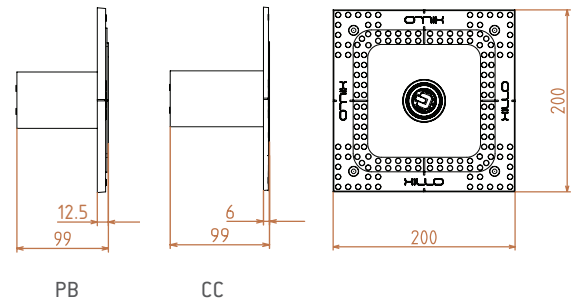


RETRO

C1027

TECHNICAL SPECS

Orientation	fixed
Fitting	suitable for Caret LED or E27 LED
Length of fitting	55mm (internal depth)
Lamp	not included
Lamp opening	Ø 47 mm
Cut out	plasterboard (PB): 204 x 204 mm concrete (CC): Ø 66 mm
Total installation depth	plasterboard (PB): 90,5 mm concrete (CC): 97 mm



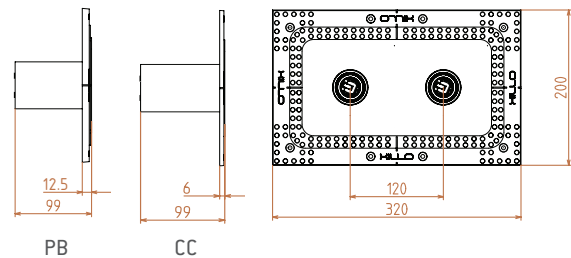
Retro

RETRO^{DUO}

C2027

TECHNICAL SPECS

Orientation	fixed
Fitting	suitable for Caret LED or E27 LED
Length of fitting	55mm (internal depth)
Lamp	not included
Lamp opening	2 x Ø 47 mm
Cut out	plasterboard (PB): 204 x 324 mm concrete (CC): 2 x Ø 66 mm
Total installation depth	plasterboard (PB): 90,5 mm concrete (CC): 97 mm



ACCESSORIES

27F4* Fixed bracket with E27 LED fitting

* lamp excluded

Disclaimer: do not use spherically shaped bulbs when fixture is ceiling mount.





SQUARE

pure
ambiance

Anglo



Anglo Duo





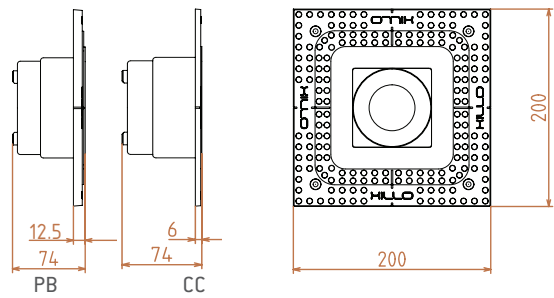
Anglo

ANGLO

S1050

TECHNICAL SPECS

Orientation	fixed
Fitting	see accessories below
Lamp	excluded
Lamp opening	80 x 80 mm
Cut out	plasterboard (PB): 204 x 204 mm concrete (CC): Ø 141 mm
Total installation depth	plasterboard (PB): 65,5 mm concrete (CC): 72 mm provide enough space in ceiling (led fixture)



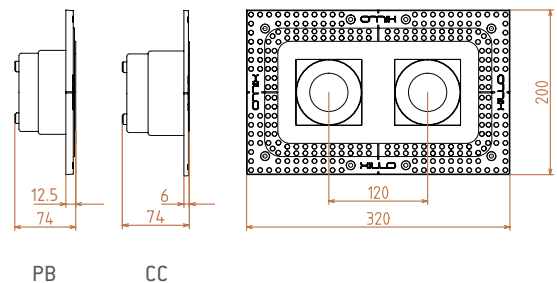
Anglo Duo

ANGLO^{DUO}

S2050

TECHNICAL SPECS

Orientation	fixed
Fitting	see accessories below
Lamp	excluded
Lamp opening	2 x 80 x 80 mm
Cut out	plasterboard (PB): 324 x 204 mm concrete (CC): 2 x Ø 141 mm
Total installation depth	plasterboard (PB): 655 mm concrete (CC): 72 mm provide enough space in ceiling (led fixture)



ACCESSORIES

50F0*	Fixed bracket for any LED Ø 50 mm
50F1*	Fixed bracket for any LED GU10 fitting Ø 50 mm
50FM**	Fixed bracket with LED module Ø 50 mm
50FD**	Fixed bracket with Dim To Warm LED Ø 50 mm

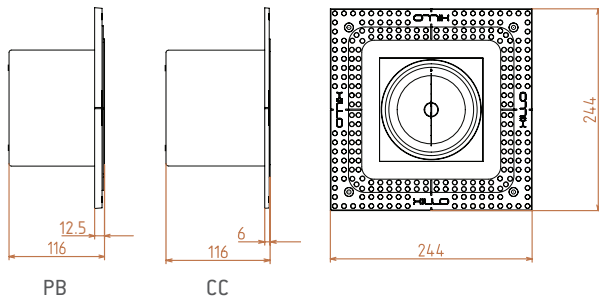
*lamp excluded

**lamp included, driver excluded

QUADREO S1111

TECHNICAL SPECS

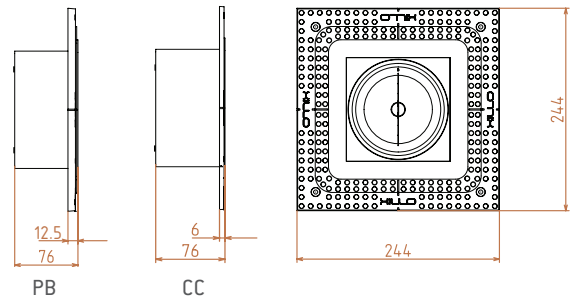
Orientation	30° tilt -360°
Fitting	see accessories below
Lamp	excluded
Lamp opening	125 x 125 mm
Driver opening	Ø 84 mm
Cut out	plasterboard (PB): 248 x 248 mm concrete (CC): Ø 201 mm
Total installation depth	plasterboard (PB): 107,5 mm concrete (CC): 114 mm



QUADREO ^{BASSO} S1111-L

TECHNICAL SPECS

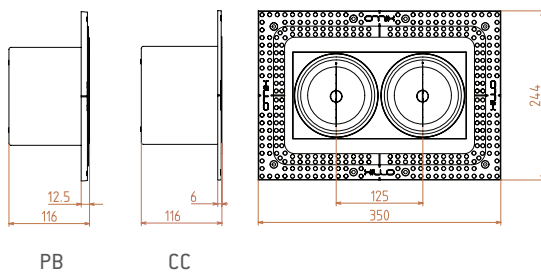
Orientation	open bracket: 30° tilt - 360° closed bracket: 20° tilt - 360°
Fitting	see accessories below
Lamp	excluded
Lamp opening	125 x 125 mm
Driver opening	Ø 84 mm
Cut out	plasterboard (PB): 248 x 248 mm concrete (CC): Ø 201 mm
Total installation depth	plasterboard (PB): 67,5 mm concrete (CC): 74 mm



QUADREO ^{DUO} S2111

TECHNICAL SPECS

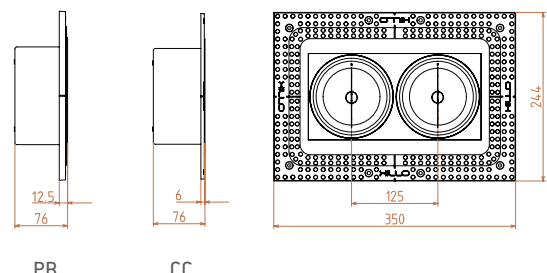
Orientation	30° tilt -360°
Fitting	see accessories below
Lamp	excluded
Lamp opening	125 x 250 mm
Driver opening	2 x Ø 84 mm
Cut out	plasterboard (PB): 248 x 354 mm concrete (CC): 270 x 145 mm
Total installation depth	plasterboard (PB): 107,5 mm concrete (CC): 114 mm



QUADREO ^{BASSODUO} S2111-L

TECHNICAL SPECS

Orientation	open bracket: 30° tilt - 360° closed bracket: 20° tilt - 360°
Fitting	see accessories below
Lamp	excluded
Lamp opening	125 x 250 mm
Driver opening	2 x Ø 84 mm
Cut out	plasterboard (PB): 248 x 354 mm concrete (CC): 270 x 145 mm
Total installation depth	plasterboard (PB): 67,5 mm concrete (CC): 74 mm



ACCESSORIES

111A3* Adjustable bracket for any LED AR111 G53
*lamp excluded

ACCESSORIES

111A3-LC* Adjustable bracket for any LED AR111 G53 low/closed

111A3-LO* Adjustable bracket for any LED AR111 G53 low/open

*lamp excluded

Quadreo



Quadreo Basso Duo



Limited installation depth?
We proudly present our Basso range. These are specially designed for shallow ceilings.

Looking for a round alternative?
Meet Grandio.

Quadreo Duo

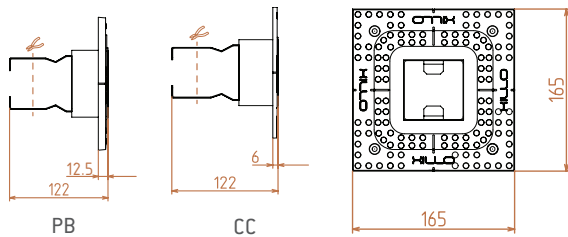


NIVELLO

S1060

TECHNICAL SPECS

Orientation	fixed
Fitting	see accessories below
Lamp	included, except for GU10 lamp
Lamp opening	60 x 60 mm
Cut out	plasterboard (PB): 169 x 169 mm concrete (CC): Ø 121 mm
Total installation depth	plasterboard (PB): 113,5 mm concrete (CC): 120 mm 95 mm when back spring is cut

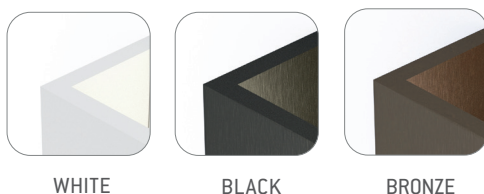
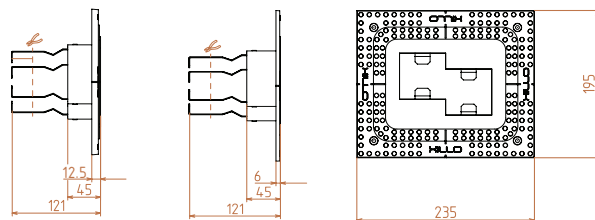


NIVELLO GRADUO

S6060

TECHNICAL SPECS

Orientation	fixed
Fitting	see accessories on the righthand side
Lamp	included, except for GU10
Lamp opening	2 x 60 x 60 mm
Cut out	plasterboard (PB): 244 x 204 mm concrete (CC): 145 x 105 mm
Total installation depth	plasterboard (PB): 113,5 mm concrete (CC): 120 mm 95 mm when back spring is cut



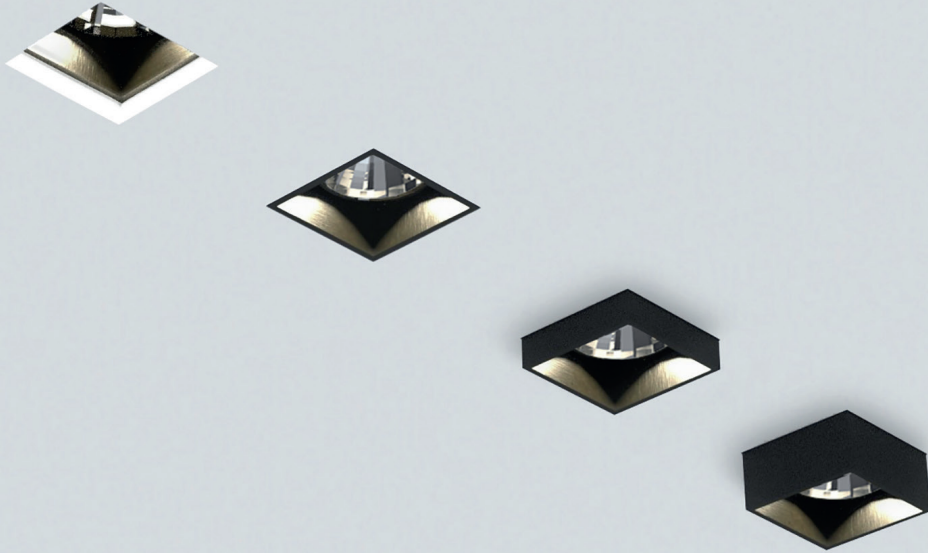
Single, double or crossed.
Move the housing of the Nivello to one of the 4 different levels, even after installation.

This elegant fixture has all the ingredients to bring some creativity in your interior. Create a playful set-up, or make colourful accents with Nivello which is available in black, white and bronze. The Nivello will add a new feature to your interior.

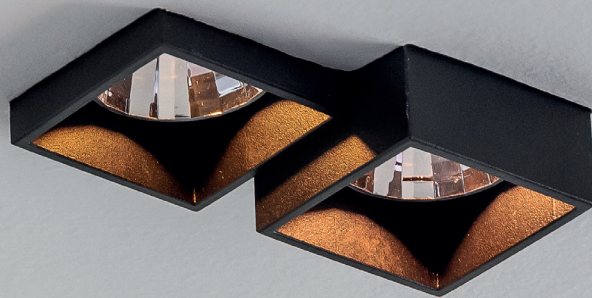
ACCESSORIES

60FXWH*	White insert with LED module Ø 50 mm
60FXBL*	Black insert with LED module Ø 50 mm
60FXBR*	Bronze insert with LED module Ø 50 mm
	* lamp incl. (CRI90-2240lm-2700K-16.8W), driver excl.
60FMWH*	White insert with 230V AC LED & diffuser
60FMBL*	Black insert with 230V AC LED & diffuser
60FMBR*	Bronze insert with 230V AC LED & diffuser
	* lamp incl. (CRI90-290lm-2700K-4.5W), driver n.a.
60FGUWH*	White insert with GU10 fitting for any LED Ø 50 mm
60FGUBL*	Black insert with GU10 fitting for any LED Ø 50 mm
60FGUBR*	Bronze insert with GU10 fitting for any LED Ø 50 mm
	* lamp excl.
60FDWH*	White insert with Sunset module for any Ø 50 mm
60FDBL*	Black insert with Sunset module Ø 50 mm
60FD BR*	Bronze insert with Sunset module Ø 50 mm
	* lamp incl. (CRI90-1140lm-1800/2700K-13.4W), driver excl.
60FEWH*	White insert for any LED Ø 50 mm
60FEBL*	Black insert for any LED Ø 50 mm
60FEBR*	Bronze insert for any LED Ø 50 mm
	* lamp excl.

NivelloBlack-adjustable in 4 different levels



Nivello Graduo Bronze - configurable in 16 different combinations

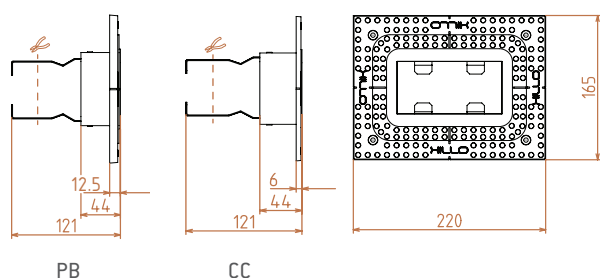


NIVELLO^{DUO}

S2060

TECHNICAL SPECS

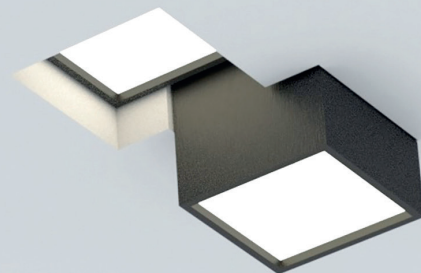
Orientation	fixed
Fitting	see accessories below
Lamp	included, except for GU10
Lamp opening	60 x 120 mm
Cut out	plasterboard (PB): 224 x 169 mm concrete (CC): 145 x 85 mm
Total installation depth	plasterboard (PB): 113,5 mm concrete (CC): 120 mm 95 mm when back spring is cut



ACCESSORIES

260FXWH*	White insert with 2 x LED module Ø 50 mm
260FXBL*	Black insert with 2 x LED module Ø 50 mm
260FXBR*	Bronze insert with 2 x LED module Ø 50 mm
*lamp incl. (CRI90-2240lm-2700K-16.8W), driver excl.	
260FMWH*	White insert with 2 x 230V AC LED & diffuser
260FMBL*	Black insert with 2 x 230V AC LED & diffuser
260FMBR*	Bronze insert with 2 x 230V AC LED & diffuser
*lamp incl. (CRI90-290lm-2700K-4.5W), driver n.a.	
260FGUWH*	White insert with 2 x GU10 fitting for any LED Ø 50 mm
260FGUBL*	Black insert with 2 x GU10 fitting for any LED Ø 50 mm
260FGUBR*	Bronze insert with 2 x GU10 fitting for any LED Ø 50 mm
*lamp excl.	
260FDWH*	White insert with 2 x Sunset module Ø 50 mm
260FDBL*	Black insert with 2 x Sunset module Ø 50 mm
260FDBR*	Bronze insert with 2 x Sunset module Ø 50 mm
*lamp incl. (CRI90-1140lm-1800/2700K-13.4W), driver excl.	
260FEWH*	White insert for any 2 x LED Ø 50 mm
260FEBL*	Black insert for any 2 x LED Ø 50 mm
260FEBR*	Bronze insert for any 2 x LED Ø 50 mm
*lamp excl.	

Nivello Graduo Black with diffuser



Nivello Graduo White

Nivello Duo White with LED module



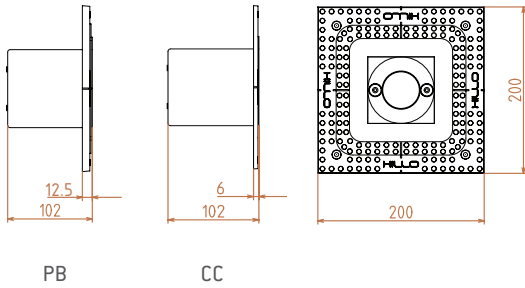
Nivello Graduo Bronze with LED module

DIMEO

S1070

TECHNICAL SPECS

Orientation	fixed (AR70)
	30° tilt - 360° (LED Ø 50 mm)
Fitting	see accessories below
Lamp	excluded
Lamp opening	80 x 80 mm
Driver opening	Ø 44 mm
Cut out	plasterboard (PB): 204 x 204 mm concrete (CC): Ø 141 mm
Total installation depth	plasterboard (PB): 93,5 mm concrete (CC): 100 mm

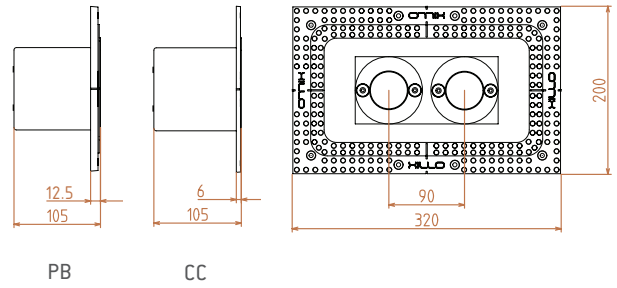


MATTONO^{DUO}

S270

TECHNICAL SPECS

Orientation	fixed (AR70)
	30° tilt - 360° (LED Ø 50 mm)
Fitting	see accessories below
Lamp	excluded
Lamp opening	80 x 170 mm
Driver opening	2 x Ø 44 mm
Cut out	plasterboard (PB): 204 x 324 mm concrete (CC): 100 x 190 mm
Total installation depth	plasterboard (PB): 96,5 mm concrete (CC): 103 mm

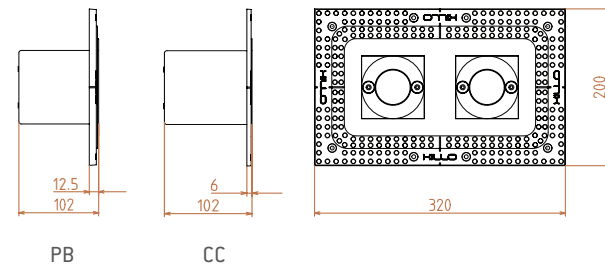


DIMEO^{DUO}

S2070

TECHNICAL SPECS

Orientation	fixed (AR70)
	30° tilt - 360° (LED 50 Ø mm)
Fitting	see accessories
Lamp	excluded
Lamp opening	2 x 80 x 80 mm
Driver opening	2 x Ø 44 mm
Cut out	plasterboard (PB): 204 x 324 mm concrete (CC): 2 x Ø 141 mm
Total installation depth	plasterboard (PB): 93,5 mm concrete (CC): 100 mm



ACCESSORIES

50A1*	Adjustable bracket with GU10 fitting for any LED 50mm
50AM**	Adjustable bracket with LED module Ø 50 mm
50AD**	Adjustable bracket with Dim To Warm LED module Ø 50 mm
70A5*	Adjustable bracket with AR70 fitting
50ATBL***	Tube Black with LED module Ø 50 mm
50ATWH***	Tube White with LED module Ø 50 mm
50ATBR***	Tube Bronze with LED module Ø 50 mm

* lamp excluded

** lamp included, driver excluded

*** lamp included (CRI90-734lm-2700K-6.3W), driver excluded

Mattono Duo



Dimeo with LED module



Dimeo Duo with GU10



Dimeo Duo with LED module





WALL

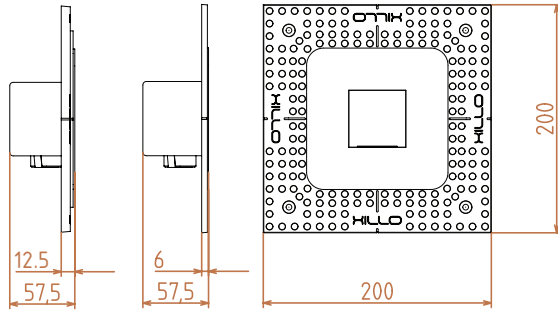
decorative
ambiance

ARCEO

W6001

TECHNICAL SPECS

Orientation	fixed - uplight or downlight
Fitting	suitable for LED 1W 350mA (CRI>85-148lm-2700K-2.4W)
Lamp	included, excl. driver
Driver	excluded
Lamp opening	50 x 50 mm
Cut out	plasterboard (PB): 204 x 204 mm concrete (CC): Ø 95 mm
Total installation depth	plasterboard (PB): 49 mm concrete (CC): 55,5 mm

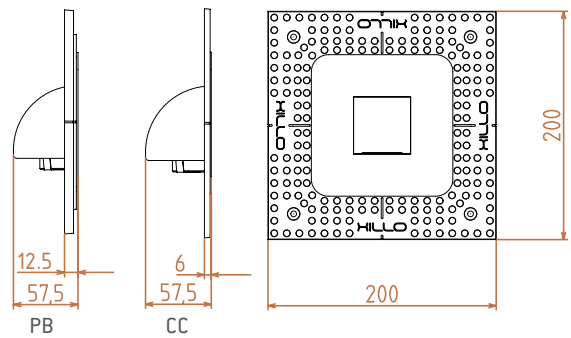


CUBEO

W7001

TECHNICAL SPECS

Orientation	fixed - uplight or downlight
Fitting	suitable for LED 1W 350mA (CRI>85-148lm-2700K-2.4W)
Lamp	included, excl. driver
Driver	excluded
Lamp opening	50 x 50 mm
Cut out	plasterboard (PB): 204 x 204 mm concrete (CC): Ø 95 mm
Total installation depth	plasterboard (PB): 49 mm concrete (CC): 55,5 mm

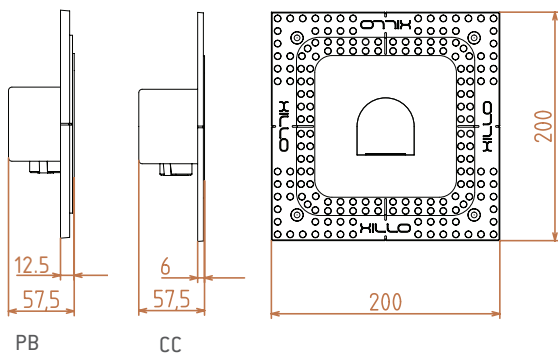


MOSO

W8001

TECHNICAL SPECS

Orientation	fixed - uplight or downlight
Fitting	suitable for LED 1W 350mA (CRI>85-148lm-2700K-2.4W)
Lamp	included, excl. driver
Driver	excluded
Lamp opening	50 x 50 mm
Cut out	plasterboard (PB): 204 x 204 mm concrete (CC): Ø 95 mm
Total installation depth	plasterboard (PB): 49 mm concrete (CC): 55,5 mm



Arceo, Cubeo and Moso are the tiniest members of our family thanks to their 50 x 50 mm dimensions. Nevertheless, they are 100% recessed. They create a true cosy atmosphere in your house and are ideal for corridors, night halls, staircases ...



uplight



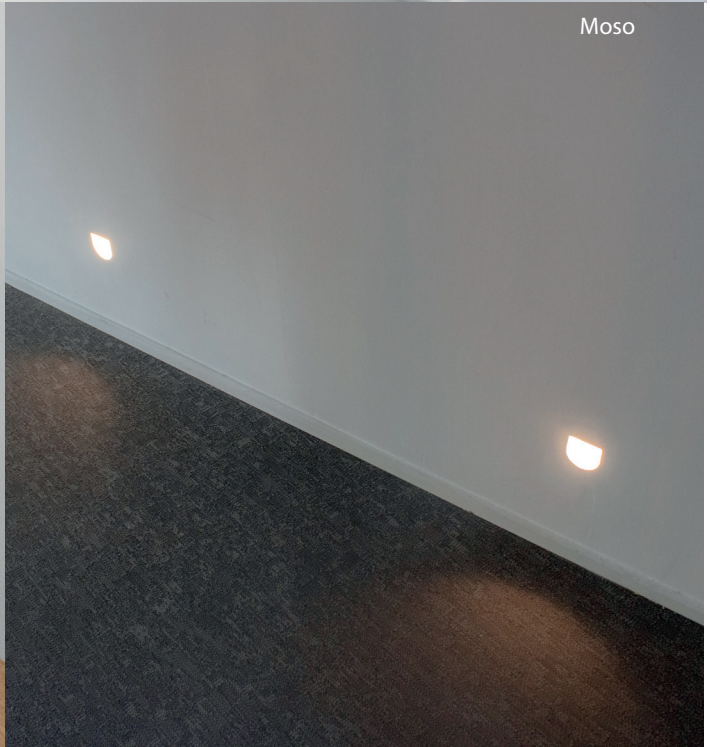
down light



Cubeco



Arceo



Moso

SPADO

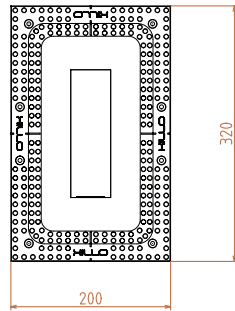
W9001

TECHNICAL SPECS

Orientation	fixed
Fitting	suitable for LED 1W 350mA (CRI>85-148lm-2700K-2.4W)
Lamp	included
Driver	excluded
Lamp opening	50 x 160 mm
Cut out	plasterboard (PB): 204 x 324 mm
Total installation depth	plasterboard (PB): 51,5 mm



PB



Our curved range, Spado, Curvio and Volto, is architecturally stunning. The curved back is designed to create a decorative lighting experience which results in an absolute beautiful glow.

Just install this all-in-one fixture and let it blend in perfectly with your interior. Use there as an up- or downlight to create the right atmosphere.



uplight



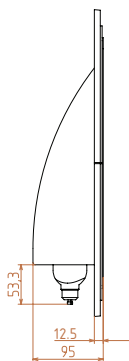
down light

CURVIO

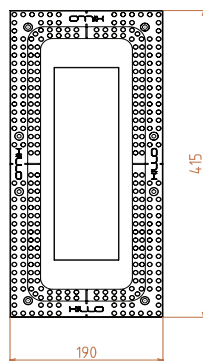
W6050

TECHNICAL SPECS

Orientation	fixed
Fitting	GU10 LED Ø 50 mm
Lamp	excluded
Driver	excluded
Lamp opening	80 x 260 mm
Cut out	plasterboard (PB): 194 x 419 mm
Total installation depth	86,5 mm



PB



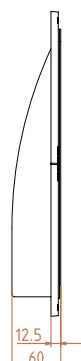
VOLTO

W10002

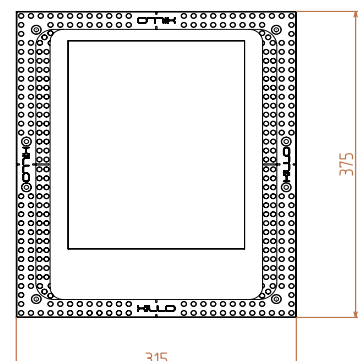
TECHNICAL SPECS

Orientation	fixed
Fitting	suitable for 230V dimmeable LED*
Lamp	included
Driver	excluded
Lamp opening	200 x 255 mm
Cut out	plasterboard (PB): 315 x 375 mm
Total installation depth	54,5 mm

*dimmeable down to 20%



PB



ACCESSORIES

- MP-5001
- ZIC024V-24V

- Diffuser for Volto (optional)
- LED IP67 for bathroom use (optional)

Spado



Curvio



Volto

recessed AUDIO

Take your music installation to a whole new level by making it recessed. All equipment out of sight results in a clutter-free living environment. This makes them ideal to use in living rooms, kitchens, bathrooms, home cinemas ... Speakers should be heard, not seen. Designed to bring out the best of your quality speakers.

Discover more →





Giro for Bose



Giro for Bose

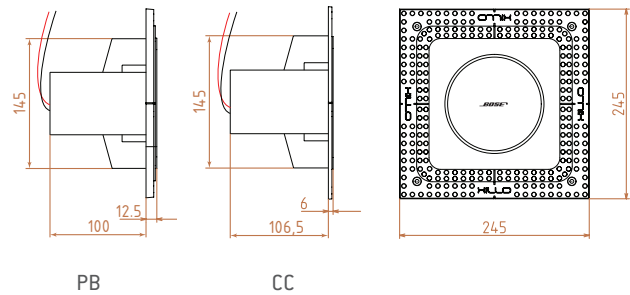


GIRO

BFS03

TECHNICAL SPECS

Fitting	suitable for customized Bose® FreeSpace® 3 Flush-Mount Satellites
Speaker	excluded mechanical adaption of the speaker required Ø mechanically adjusted to 127 mm
Opening	Ø 128 mm
Cut out	plasterboard (PB): 249 x 249 mm concrete (CC): Ø 171 mm
Total installation depth	plasterboard (PB): 105 mm concrete (CC): Ø 111,5 mm



Like to match your Giro speaker with your lighting? Then combine this speaker fixture with our matching lighting fixture. As the opening dimensions are exact, they blend in perfectly.

- Giro = Grandio

This is how you create a uniform recessed look throughout your interior.





COME &
VISIT US



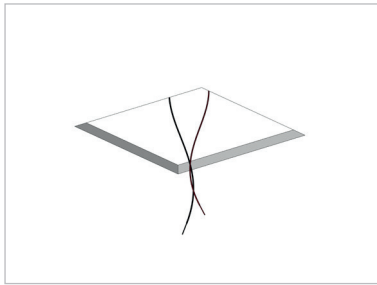
WELCOMETOOURSHOWROOM

Here you can discover and experience our Xillo collection. At our showroom in Bruges, you can get acquainted with the true benefits of choosing for Xillo's recessed solutions.

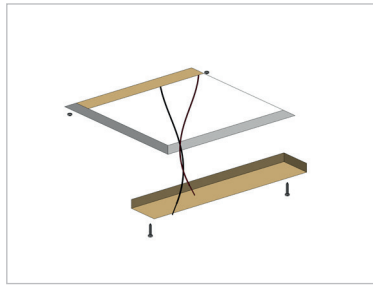
Our specialists are happy to give you a demonstration and answer any of your questions.

INSTALLATION

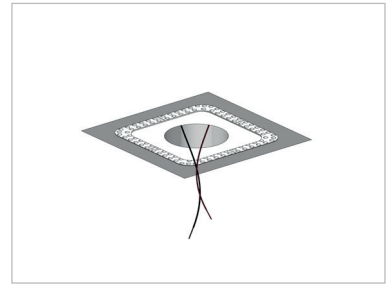
PLASTERBOARD (12,5 MM)



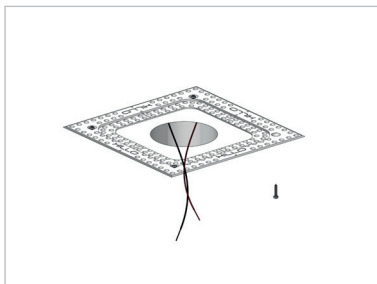
STEP 1
Make a square hole in the surface according to the dimensions



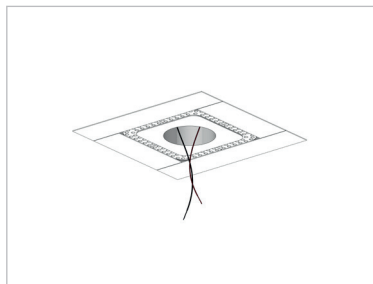
STEP 2
Screw a wooden frame at the back of the plasterboard



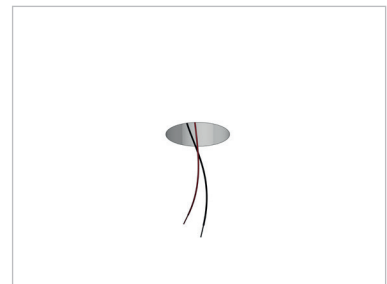
STEP 3
Position the fixture by using a laser and the alignment marks



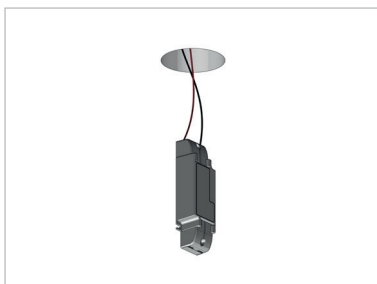
STEP 4
Fill gaps with joint filler



STEP 5
Position fiberglass netting



STEP 6
Equalize with filler, sand and paint the surface and inside. Stay clear from the magnets.



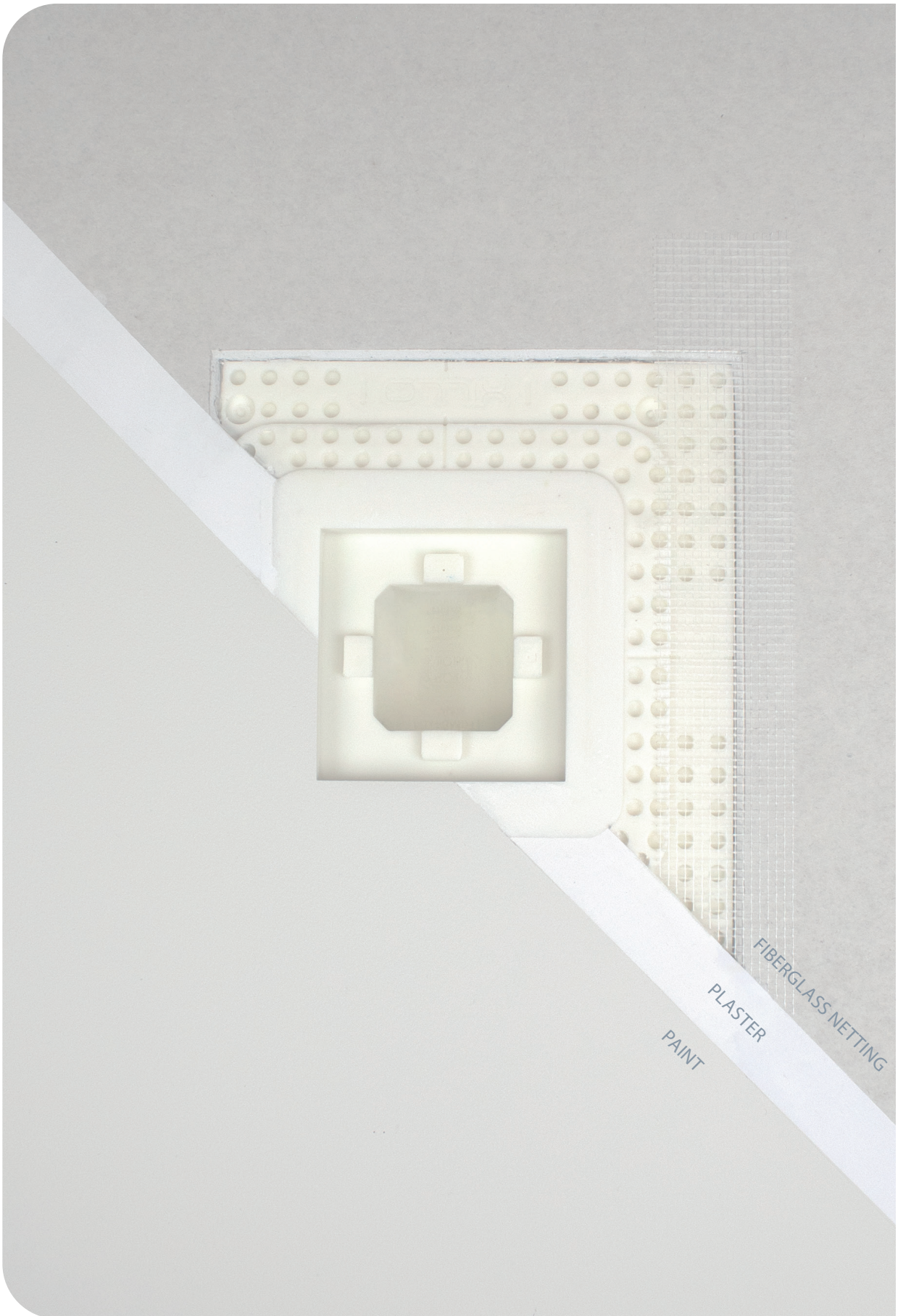
STEP 7
Connect all cables



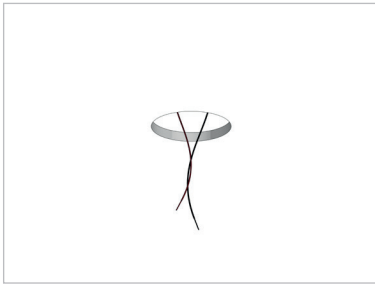
STEP 8
Position bracket and lamp



STEP 9
You are ready!

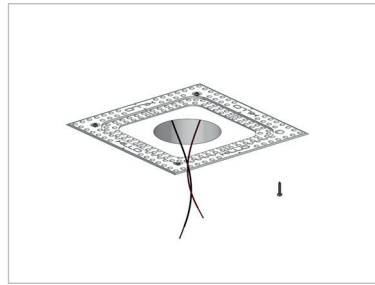


BRICK / CONCRETE (6 MM)



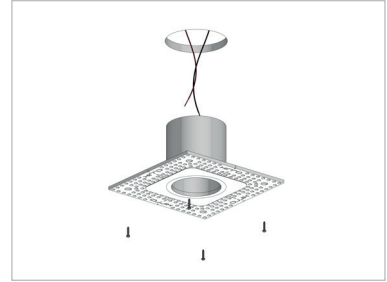
STEP 1

Make a round cut out in the brick / concrete surface



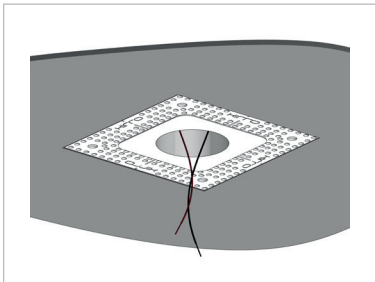
STEP 2

Glue and screw the fixture against the surface



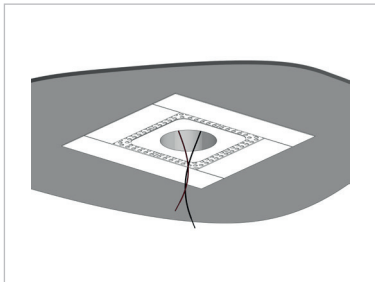
STEP 3

Position the fixture by using a laser and the alignment marks



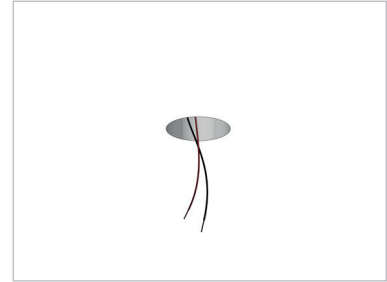
STEP 4

Fill gaps with joint filler



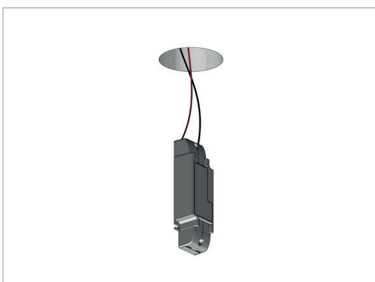
STEP 5

Position fiberglass netting



STEP 6

Equalize with filler, sand and paint the surface and inside. Stay clear from the magnets.



STEP 7

Connect all cables



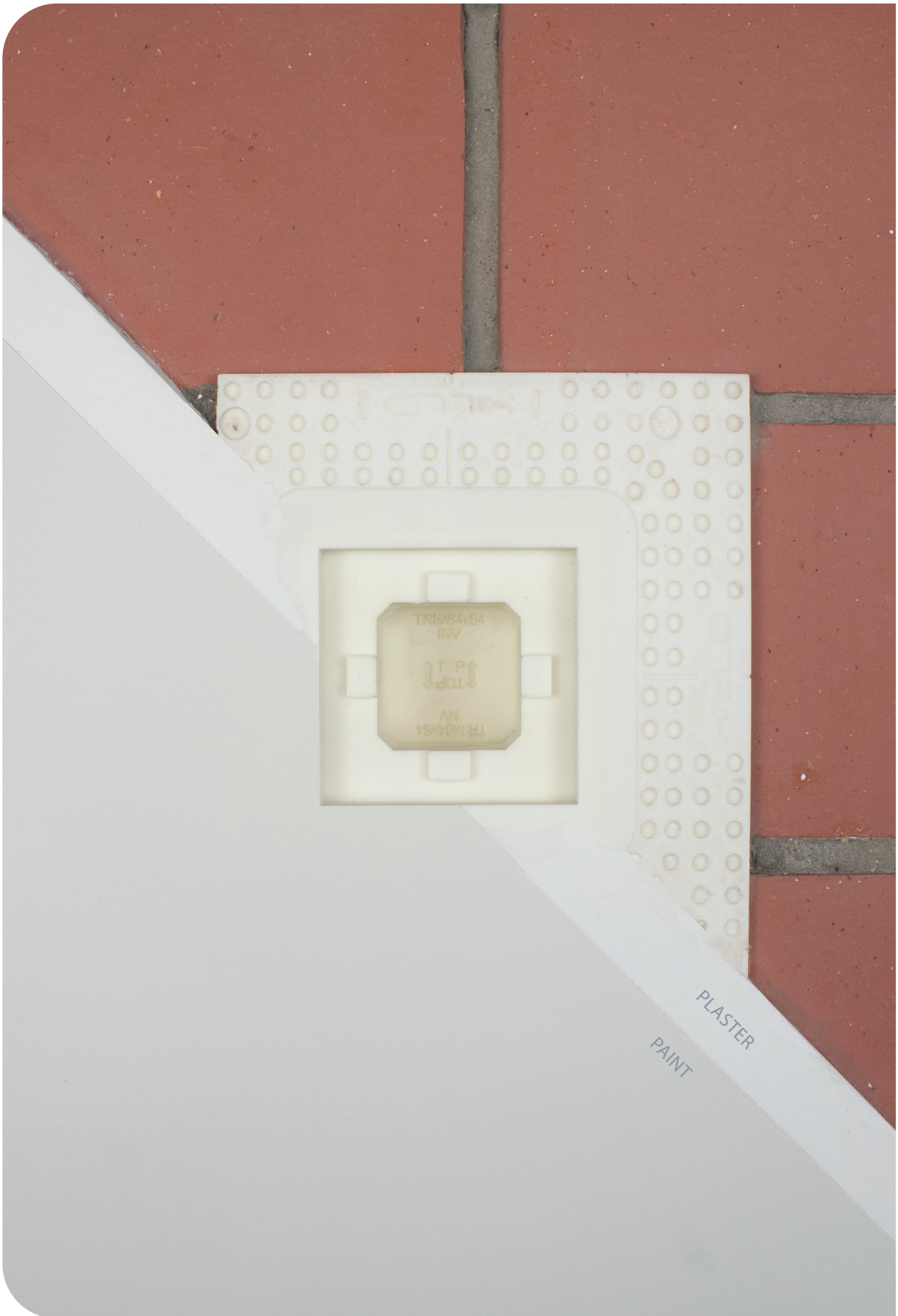
STEP 8

Position bracket and lamp



STEP 9

You are ready!



SUMMARY

ORDER CODES	ARTICLE NAMES	ADJUST- ABLE	LAMP OPENING (MM)	CENTER DISTANCE (MM)	PLASTERBOARD (12,5 MM)		CONCRETE/BRICK (6 MM)		SLAB MATERIAL (18-22 MM)	
					CUT OUT* (MM)	DEPTH* (MM)	CUT OUT* (MM)	DEPTH* (MM)	CUT OUT (MM)	DEPTH (MM)
L1500	LINIO		16		104 x length	12,5				
C1050	ANELLO		Ø 80		204 x 204	49,5	Ø 101	56		
C2050	ANELLO DUO		2 x Ø 80	120	204 x 324	49,5	2 x Ø 101	56		
C1055	CONO		Ø 80		204 x 204	106,5	Ø 100	113		
C2055	CONO DUO		2 x Ø 80	125	204 x 324	106,5	2 x Ø 101	113		
C1111	GRANDIO	•	Ø 127,5		249 x 249	103,5	Ø 151	110		
C2111	GRANDIO DUO	•	2 x Ø 127,5		319 x 379	103,5				
C1111-L	GRANDIO BASSO	•	Ø 127,5		249 x 249	67,5	Ø 151	74		
C2111-L	GRANDIODUOBASSO	•	2 x Ø 127,5		319 x 379	67,5				
C1060	TURNO	in height	Ø 57		169 x 169	74,5 - 175	Ø 81	81 - 180		
C2060	TURNO DUO	in height	2 x Ø 57	80	244 x 204	74,5 - 175	2 x Ø 81	81 - 180		
C1070	TUTTO	•	Ø 80		204 x 204	95,5	Ø 101	102		
C2070	TUTTO DUO	•	2 x Ø 80	120	204 x 324	95,5	2 x Ø 101	102		
C1027	RETRO		Ø 47		204 x 204	90,5	Ø 66	97		
C2027	RETRO DUO		2 x Ø 47	120	204 x 324	90,5	2 x Ø 66	97		
C1025	OJO	•	Ø 23		204 x 204	89,5	Ø 102	96		
S1050	ANGLO		80 x 80		204 x 204	65,5	Ø 141	72		
S2050	ANGLO DUO		2 x 80 x 80	120	204 x 324	65,5	2 x Ø 141	72		
S1111	QUADREO	•	125 x 125		248 x 248	107,5	Ø 201	114		
S2111	QUADREO DUO	•	125 x 250	125	248 x 354	107,5	270 x 145	114		
S1111-L	QUADREO BASSO	•	125 x 125		248 x 248	67,5	Ø 201	74		
S2111-L	QUADREOBASSODUO	•	125 x 250	125	248 x 354	67,5	270 x 145	74		
S1060	NIVELLO	in height	60 x 60		169 x 169	113,5	Ø 121	120		
S6060	NIVELLO GRADUO	in height	2 x 60 x 60		244 x 204	113,5	145 x 105	120		
S2060	NIVELLO DUO	in height	60 x 120		224 x 169	113,5	145 x 85	120		
S1070	DIMEO	•	80 x 80		204 x 204	93,5	Ø 141	100		
S2070	DIMEO DUO	•	2 x 80 x 80	120	204 x 324	93,5	2 x Ø 141	100		
S270	MATTONO DUO	•	80 x 170	90	204 x 324	96,5	100 x 190	103		
W6001	ARCEO		50 x 50		204 x 204	49	Ø 95	55,5		
W7001	CUBEO		50 x 50		204 x 204	49	Ø 95	55,5		
W8001	MOSO		50 x 50		204 x 204	49	Ø 95	55,5		
W9001	SPADO		50 x 160		204 x 324	51,5				
W6050	CURVIO		80 x 260		194 x 419	86,5				
W10002	VOLTO		200 x 255		315 x 375	54,5				

POSSIBLE LIGHT SOURCE & DEPTH ¹											
GU10 ³ (MM)	XILAR 70 ²³ (MM)	XILAR 111 ²³ (MM)	XILLE 50 ²³ (MM)	E27 BULB ³ (MM)	LED MODULE (MM)	SUNSET MODULE (MM)	50AT ³ (MM)	230VAC (MM)	WALL LED (MM)	230V LED (MM)	LED STRIP ³ (MM)
											12,5
100			115		90	90					
100			115		90	90					
			115								
			115								
		180 ⁴									
		180 ⁴									
		180 ⁴									
		180 ⁴									
			180		180						
			180		180						
145 ⁴	145 ⁴				145 ⁴	145 ⁴	145 ⁴				
145 ⁴	145 ⁴				145 ⁴	145 ⁴	145 ⁴				
				115 ⁴							
				115 ⁴							
					90						
100			115		90	90					
		180 ⁴									
		180 ⁴									
		180 ⁴									
		180 ⁴									
165 ⁴					165 ⁴	165 ⁴		165 ⁴			
165 ⁴					165 ⁴	165 ⁴		165 ⁴			
165 ⁴					165 ⁴	165 ⁴		165 ⁴			
145 ⁴	145 ⁴				145 ⁴	145 ⁴	145 ⁴	145 ⁴			
145 ⁴	145 ⁴				145 ⁴	145 ⁴	145 ⁴	145 ⁴			
145 ⁴	145 ⁴				145 ⁴	145 ⁴	145 ⁴	145 ⁴			
									50		
									50		
									50		
									50		
100											
										70	

¹Depth of the fixtures lamps included ²Standard 230V dimmeable LE/TE driver included ³Not available for export ⁴Approximate depth, depending on fixtures' adjustments.

SUMMARY

ORDER CODES	ARTICLE NAMES	LAMP OPENING (MM)	CENTER DISTANCE (MM)	PLASTERBOARD (12,5 MM)		CONCRETE/BRICK (6 MM)		SLAB MATERIAL (18-22 MM)	
				CUT OUT* (MM)	DEPTH* (MM)	CUT OUT* (MM)	DEPTH* (MM)	CUT OUT (MM)	DEPTH (MM)
BFS03	GIRO	Ø 128		249 x 249	105	Ø 171	111,5		
KCI130QS	TALO	186 x 186		304 x 304	91,5				
KCI160QS	FEO	229 x 229		354 x 354	92,5				
KCI200QS	LAYO	279 x 279		404 x 404	101,5				
TSIC62	OTO	Ø 235		354 x 354	110				
CF1100	FENTO TONDO 100	Ø 200 (Ø 174)		304 x 304	114,5	Ø 220	121		
CF1125	FENTO TONDO 125	Ø 200 (Ø 174)		304 x 304	114,5	Ø 220	121		
SF1100	FENTO PIAZZO 100	200 x 200 (180 x 180)		304 x 304	114,5	212 x 212	121		
SF1125	FENTO PIAZZO 125	200 x 200 (180 x 180)		304 x 304	114,5	212 x 212	121		
X_BOSCH_FCP500	FUMO	Ø 151		249 x 249	51,5	Ø 171	58		
V_PDM-I12_F	VISO	127,5 x 57		249 x 249	27	Ø 137	33,5		
TRIM_MOTPLUS	MOTIVITY PLUS			204 x 204	27,5	Ø 93	34		
P165	PLATO 165			169 x 169	12	na	na		
P200	PLATO 200			204 x 204	12	na	na		
P244	PLATO 244			248 x 248	12	na	na		
SOCKINV1	INVISIBLE SOCKET	Ø 39		194 x 194	52	Ø 82	58		
SOCKINV2	INVISIBLE SOCKET DUO	2 x Ø 39	71	254 x 194	52	Ø 152	58		
SOCKP1	PAINTABLE SOCKET	85 x 85		204 x 204	46	Ø 142	52,5		
SOCKP2	PAINTABLE SOCKET DUO	165 x 85	71	324 x 204	46	175 x 104	52,5		
INTP4	PAINTABLE SWITCH	85 x 85		204 x 204	54,5	Ø 142	61		
INTINV4	INVISIBLE SWITCH	85 x 85		204 x 204	54,5	Ø 142	61		
INTWP4	WALLPAPER SWITCH	85 x 85		204 x 204	54,5	Ø 142	61		
TRIM_SWITCH MCWINV124	WALLBOX SWITCH (INV, P, WP)	85 x 85		204 x 204	54,5	Ø 142	61		
TRIM_INTINT124_WG	INTEGRATED SWITCH WITH GAP	87,5 x 87,5						87,5 x 87,5	45
TRIM_INTINT124_NG	INTEGRATED SWITCH NO GAP							87,5 x 87,5	42
TRIM_INTINT124_INV	INTEGRATED SWITCH INVISIBLE	87,5 x 87,5						87,5 x 87,5	48
TRIM SOCKINT1_WG	INTEGRATED SOCKET WITH GAP	87,5 x 87,5						87,5 x 87,5	47
TRIM SOCKINT2_WG	INTEGRATED SOCKET WITH GAP DUO	156 x 87,5	71					156 x 87,5	47
TRIM SOCKINT1_NG	INTEGRATED SOCKET NO GAP	Ø 39						87,5 x 87,5	44,5
TRIM SOCKINT2_NG	INTEGRATED SOCKET NO GAP DUO	2 x Ø 39	71					156 x 87,5	44,5
U1200S	UNSEEN FRESH (STONE)	238 x 156						282 x 200	53,5 + toilet
U1200X	UNSEEN FRESH (XILLO)	234,4 x 152,3		364 x 284	51 + system				
U175S	UNSEEN WATER (CORNER)								
U176S	UNSEEN WATER (FLAT)								