

---

DUOTECNO

Domotica

# EYESWITCH

This **handy iPad mount** with an **integrated charger** (PSU\_EYE100VAC240VAC) is combined with an **Dtbs8 button switch**. Slide **any of the current iPads** (except USB-C version) **horizontally** in place, thanks to the adjustable connector. Please note that the PSU should be ordered separately (PSU\_EYE\_100VAC240VAC).

If necessary, it is very easy to demount the iPad and its **supporting bracket** while maintaining a **sleek designer look** thanks to the 8 fold switch.

In a few seconds your iPad becomes wall-mounted. Thanks to the 8 fold switch, you can directly operate your home automation, even when the iPad is not present.

This product is now available in Alu, Alu Black and Alu White (DTBSE-8A, DTBSE-8Ab, DTBSE-8Aw).



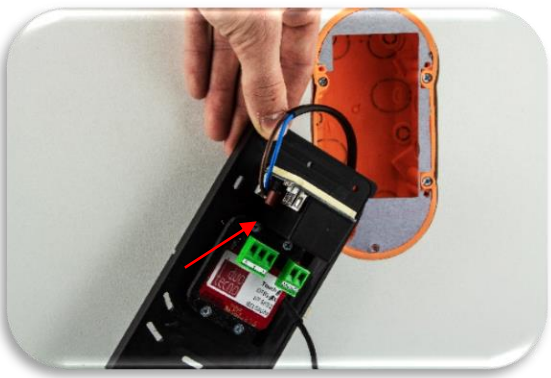
# INSTALLATION



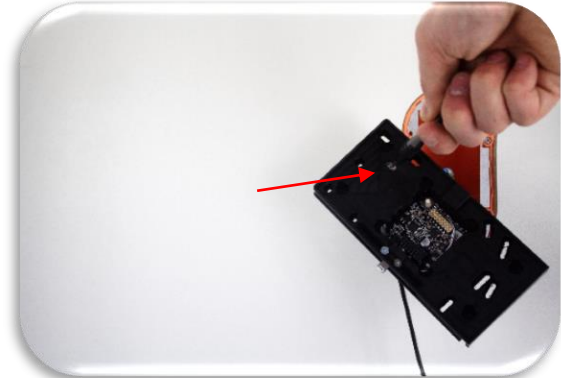
1. Install the double wall box\* (p.7) vertically with the steel plate (not screwed). Provide 100 - 240V AC for the iPad power supply and FTP CAD 5E cable for BCU.



2. Connect 100 - 240V AC (no voltage on the cables while connecting to the PSU) the power supply unit (PSU) for charging the iPad.



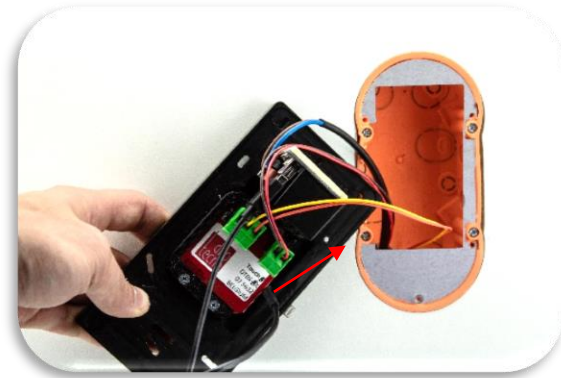
3. Insert the PSU at the back of the bus coupling unit (BCU) holder of the Eyeswitch.



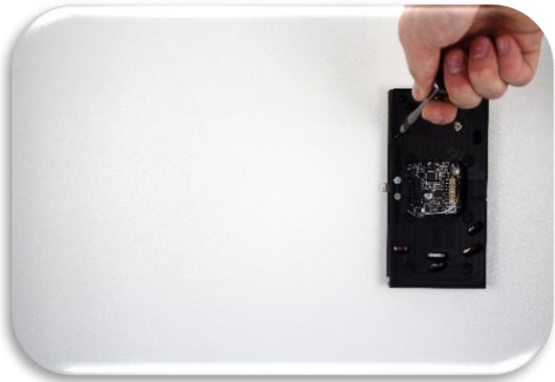
4. Fix the PSU with the screw at the front of the BCU holder of the Eyeswitch.



5. Plug the USB of the lightning cable in the USB connector of the PSU.



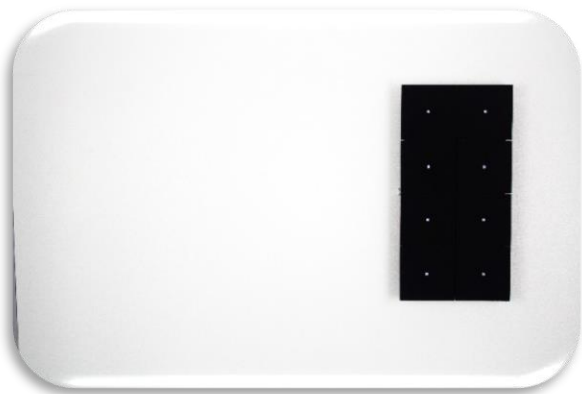
6. Plug the cables in the corresponding connector on the BCU.  
Technical specifications -> DTOS-8x



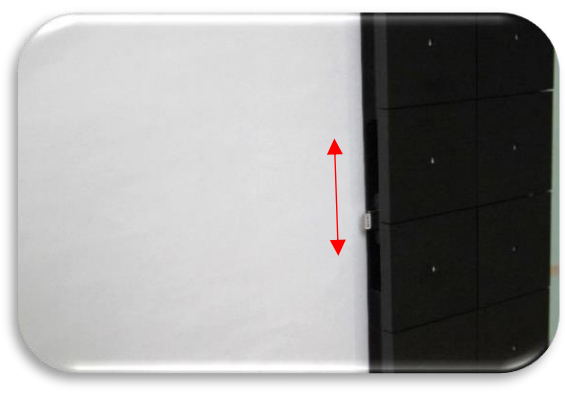
7. Fix the BCU of the Eyeswitch to the wall.  
Start with the top left screw.



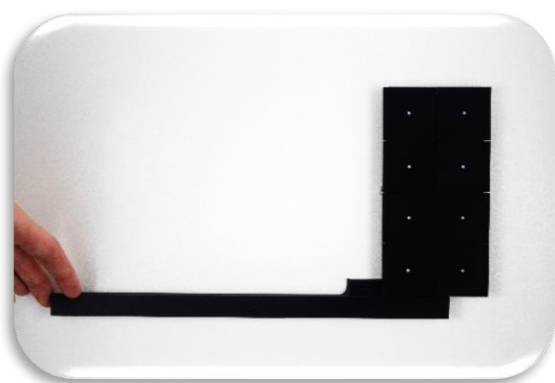
8. Level the Eyeswitch and screw the remaining 3 screws in place.  
*the harder you screw the lower screw, the stiffer it will be to slide the Eyeswitch Bracket in place)*



9. Put the front of the Eyeswitch on the BCU.  
Slide the lightning connector on the right height for you iPad !



10. Slide the lightning connector to the right height for your iPad.



11. Slide the Eyeswitch Bracket horizontally in place.



11. Mount the iPad by sliding it along the Eyeswitch bracket and clicking it in the lightning connector.  
Transparent sticker at the right back corner of the iPad for firmness

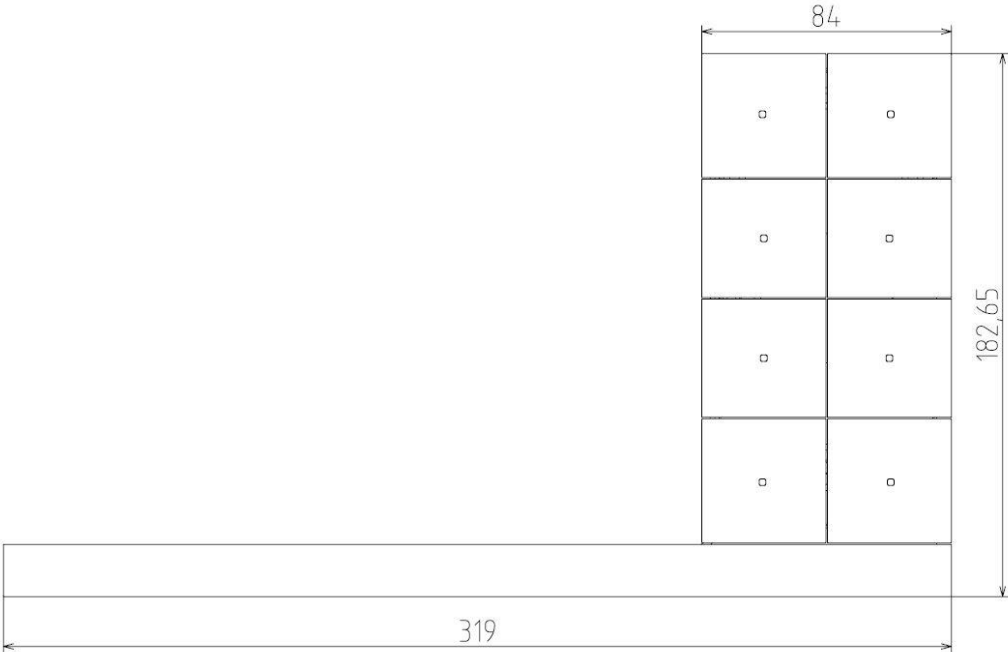
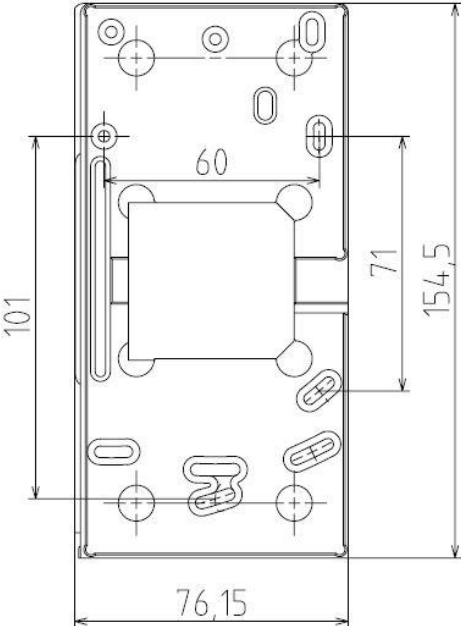


12. The iPad is now charging thanks to the lightning cable.

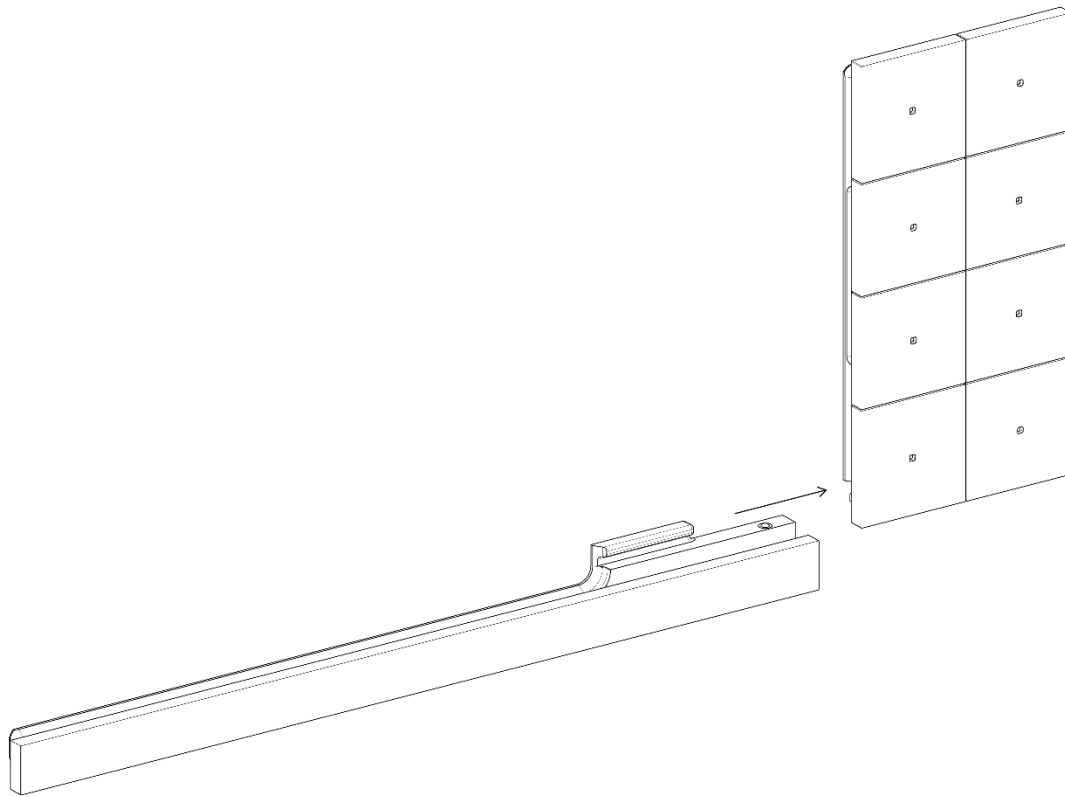


13. The iPad is now ready to be used in your home automation.

# DIMENSIONS



## BRACKET ASSEMBLY



## TECHNICAL DATA

*\*It is recommended to fix and glue the wall box in the concrete, brickwall or plasterboard wall as the wall box has to carry the whole weight of the eyeswitch and the ipad*